

Excellent Integrated System Limited

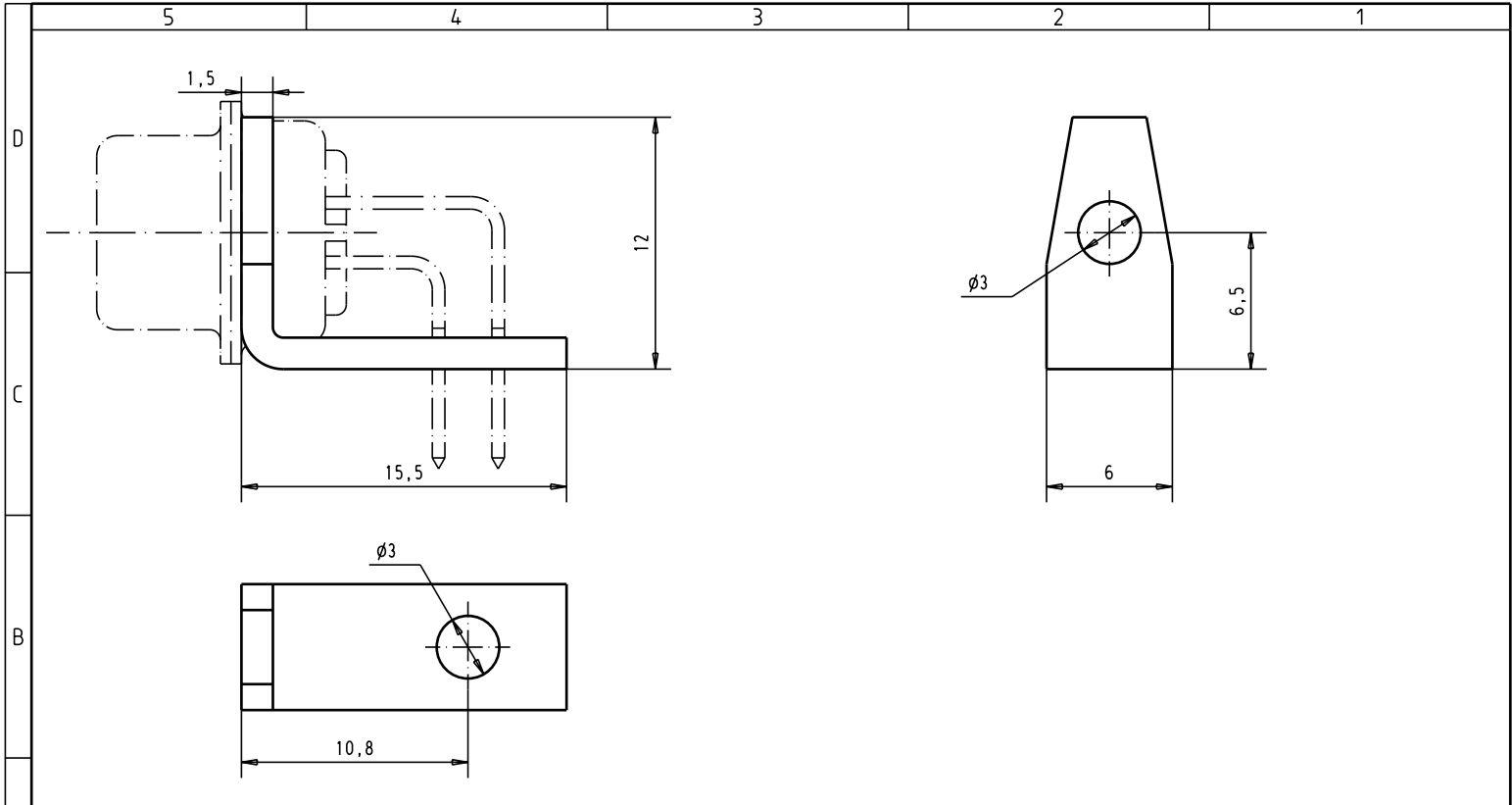
Stocking Distributor



Click to view price, real time Inventory, Delivery & Lifecycle Information:

[Harting](#)
[09670009910](#)

For any questions, you can email us directly:
sales@integrated-circuit.com

Alle Rechte vorbehalten! All rights reserved



					<table border="1"> <tr> <th>Det.</th> <th>Name</th> </tr> <tr> <td>09-APR-02</td> <td>CV</td> </tr> </table>		Det.	Name	09-APR-02	CV		D-Sub, Fixing metal bracket for 9-15-25 and 37 poles	Maßstab/ Scale 4:1
Det.	Name												
09-APR-02	CV												
All Dim. in mm Orig. Size DIN A 4													
09 67 000 9910					HARTING EURL F-95972 Paris			TB 09670009910	Blatt/ Page 1 /				
Part number Mod. Det. Name					Sub.								