

Excellent Integrated System Limited

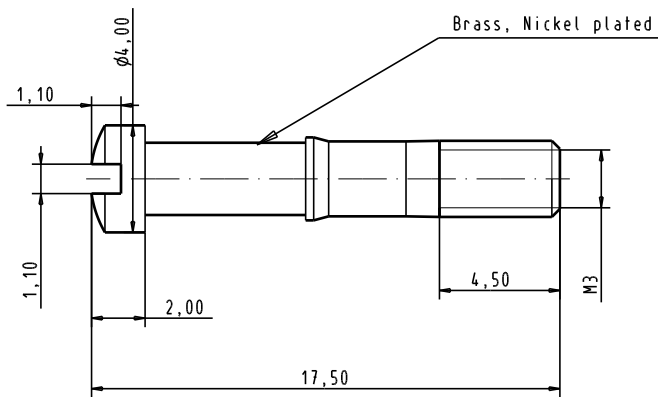
Stocking Distributor

Click to view price, real time Inventory, Delivery & Lifecycle Information:

[Harting](#)
[09670029009](#)

For any questions, you can email us directly:
sales@integrated-circuit.com

Alle Rechte vorbehalten/ All rights reserved



				Det.	Name	 All Dim. in mm Orig. Size DIN A 4	Short locking screw M3	Maßstab/ Scale
			Detail.	07/01/04	S.H.			5:1
			Insp.					
			Stand.					Blatt/ Page
	31587	07/01/04	S.H.	HARTING ELEKTRONIK F-95972 Paris			TB 09 67 002 9009	/
	Mod.	Det.	Name				Sub.	