

Excellent Integrated System Limited

Stocking Distributor

Click to view price, real time Inventory, Delivery & Lifecycle Information:

[Harting](#)
[09693120133](#)

For any questions, you can email us directly:
sales@integrated-circuit.com

Han® 3 A 2 x LC duplex



Han® 3 A 2 x LC duplex

Advantages

- Compact, space-saving Design
- Just one LWL modul for high mechanical load
- High packing density
- A & B parts identification according to TIA 568 standard

Technical characteristics

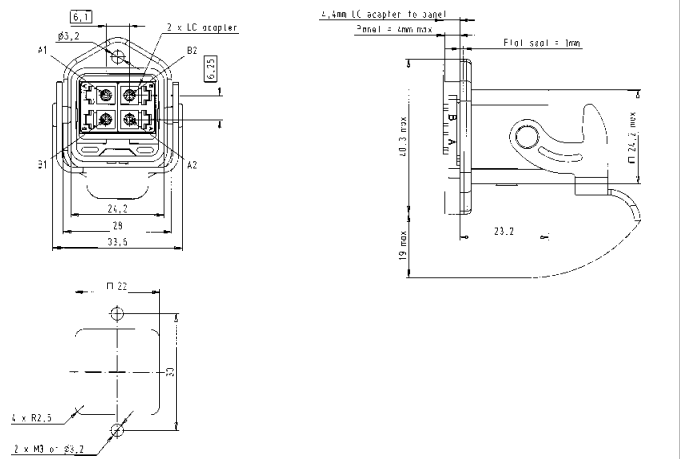
Degree of protection	IP65 / IP67
Temperature range	-40 °C ... +70 °C
Housing material	Zinc die-cast powder coating black

Identification	Part number	Drawing	Dimensions in mm
----------------	-------------	---------	------------------

Components device side

Multimode GOF
Singlemode GOF

09 57 467 0004 000
09 57 467 0005 000



Connector

Multimode GOF
Singlemode GOF

09 57 407 0001 000
09 57 407 0002 000

