

Excellent Integrated System Limited

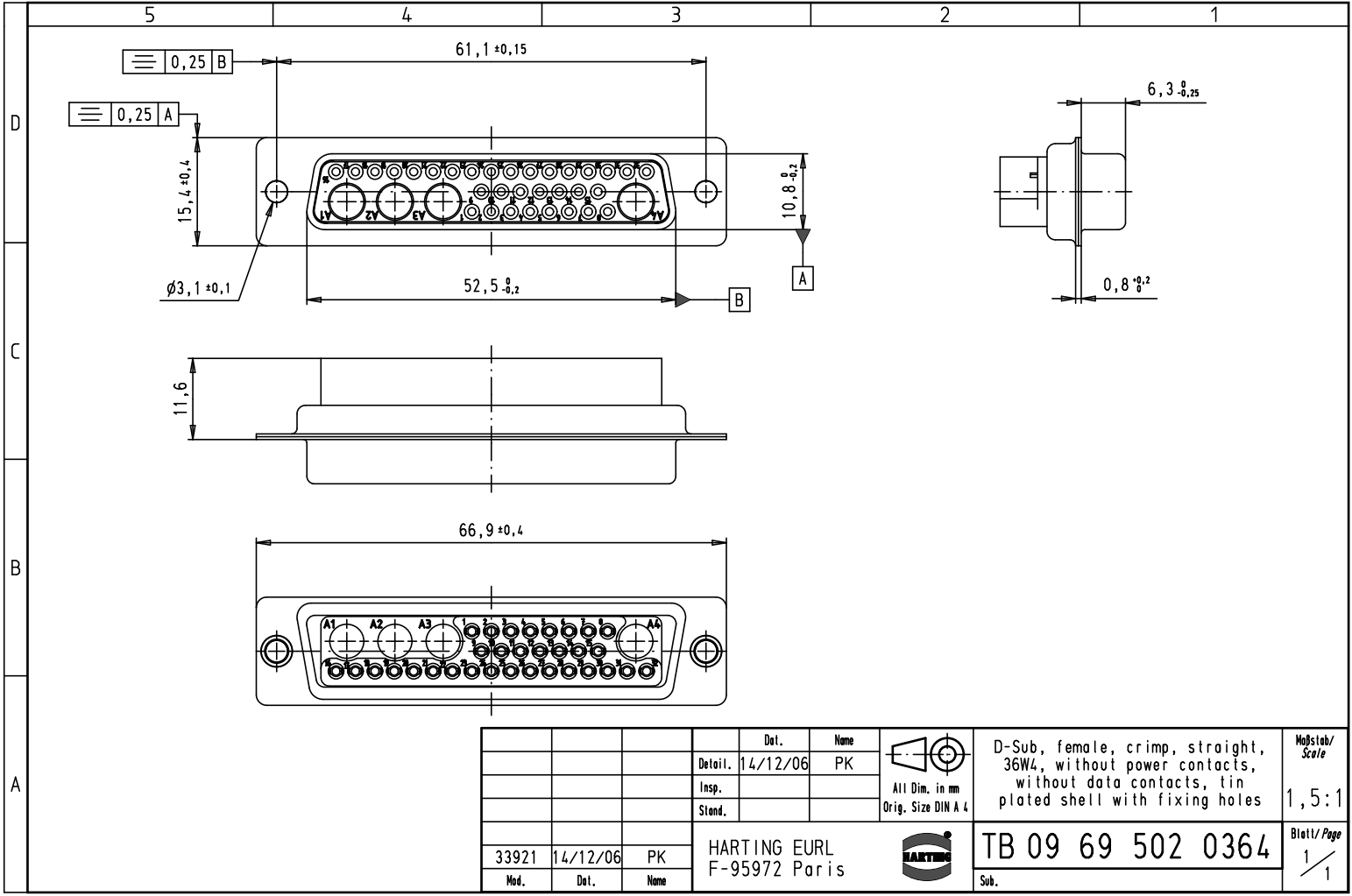
Stocking Distributor



Click to view price, real time Inventory, Delivery & Lifecycle Information:

[Harting](#)
[09695020364](#)

For any questions, you can email us directly:
sales@integrated-circuit.com

Alle Rechte vorbehalten/ All rights reserved



				Det.	Name	 All Dim. in mm Orig. Size DIN A 4	D-Sub, female, crimp, straight, 36W4, without power contacts, without data contacts, tin plated shell with fixing holes	Maßstab/ Scale 1,5:1
			Detail.	14/12/06	PK			
			Insp.					
			Stand.					
	33921	14/12/06	PK	HARTING EURL F-95972 Paris			TB 09 69 502 0364	Blatt/ Page 1 / 1
	Mod.	Det.	Name					