

## Excellent Integrated System Limited

Stocking Distributor

Click to view price, real time Inventory, Delivery & Lifecycle Information:

[Harting](#)  
[09791962950](#)

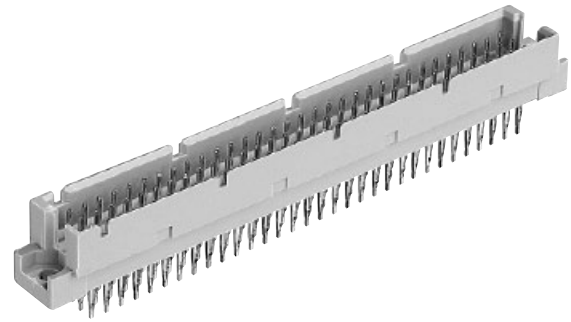
For any questions, you can email us directly:  
[sales@integrated-circuit.com](mailto:sales@integrated-circuit.com)

# DIN 41 612 · complementary type RM



Number of contacts

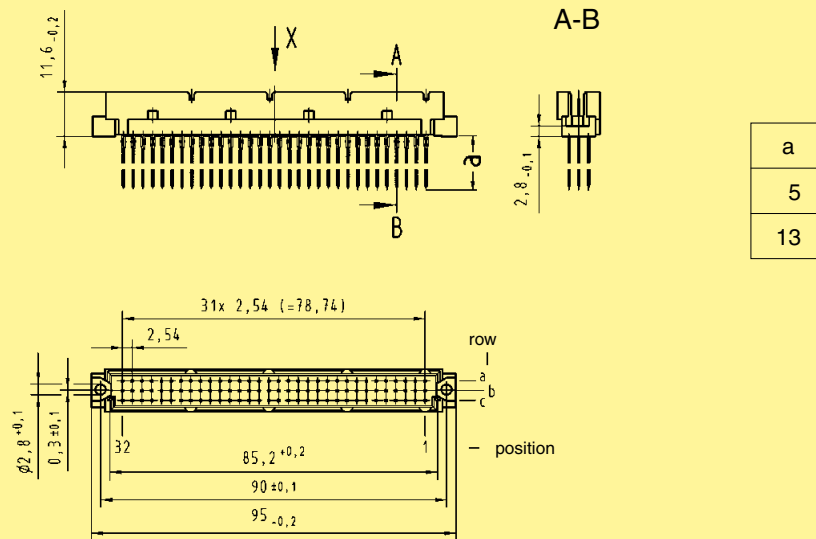
# 96, 64



Male connectors

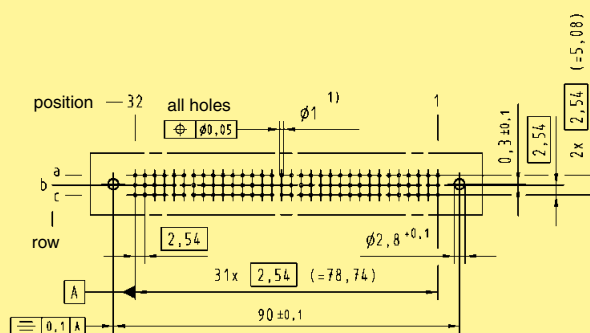
Identification	Number of contacts	Contact arrangement	Performance levels according to IEC 60 603-2. Explanation chapter 00		
			3	2	1
Male connector with press-in terminations 5.0 mm	96		Performance level 3 on request	Performance level 2 on request	09 79 196 2950
	64				09 79 164 2950
	13 mm	96			

## Dimensions



## Board drillings

Mounting side



Dimensions in mm