

Excellent Integrated System Limited

Stocking Distributor

Click to view price, real time Inventory, Delivery & Lifecycle Information:

[Harting](#)

[09792966801](#)

For any questions, you can email us directly:

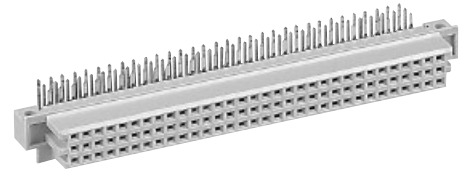
sales@integrated-circuit.com

DIN 41 612 · complementary to type R (HE 11)



Number of contacts

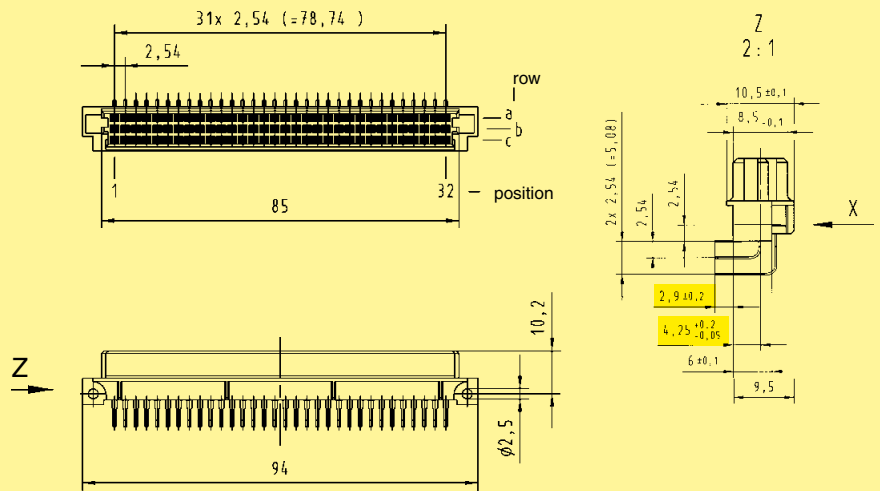
96, 64



Female connectors

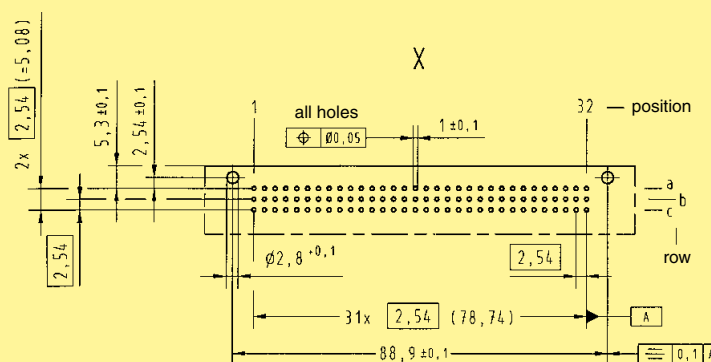
Identification	Number of contacts	Contact arrangement	Performance levels according to IEC 60603-2. Explanation chapter 00		
			3	2	1
Female connector with angled solder pins	96		09 79 296 7801	09 79 296 6801 09 79 496 6801 ^{b)}	Performance level 1 on request
	64		09 79 264 7801	09 79 264 6801 09 79 464 6801 ^{b)}	

Dimensions



Board drillings

Mounting side



Dimensions in mm

DIN Signal up to 2 A