

Excellent Integrated System Limited

Stocking Distributor

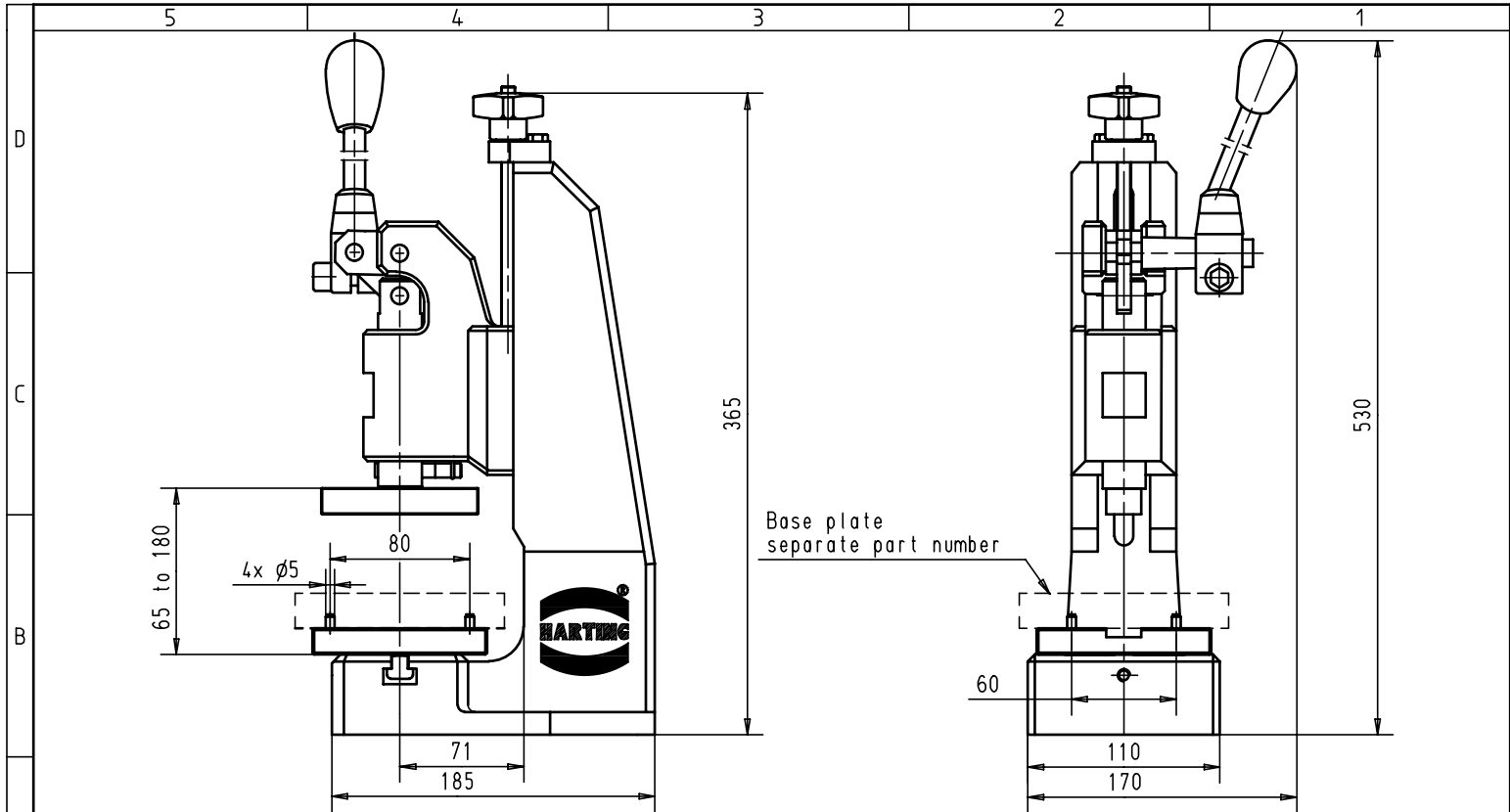
Click to view price, real time Inventory, Delivery & Lifecycle Information:

[Harting](#)



[09990000114](#)

For any questions, you can email us directly:

sales@integrated-circuit.com



Maximum force output: 4,2 kN

			Det.	Name	 All Dim. in mm Orig. Size DIN A 4	Bench press for IDC cabling	Maßstab/ Scale 1:3
		Detail.	12 JUL 01	S G			
		Insp.					
		Stand.					
	29699	12 JUL 01	S G	HARTING EURL F-95972 Paris		 TB09 99 000 0114	Blatt/ Page 1 / 1
Mod.	Det.	Name			Sub.		