

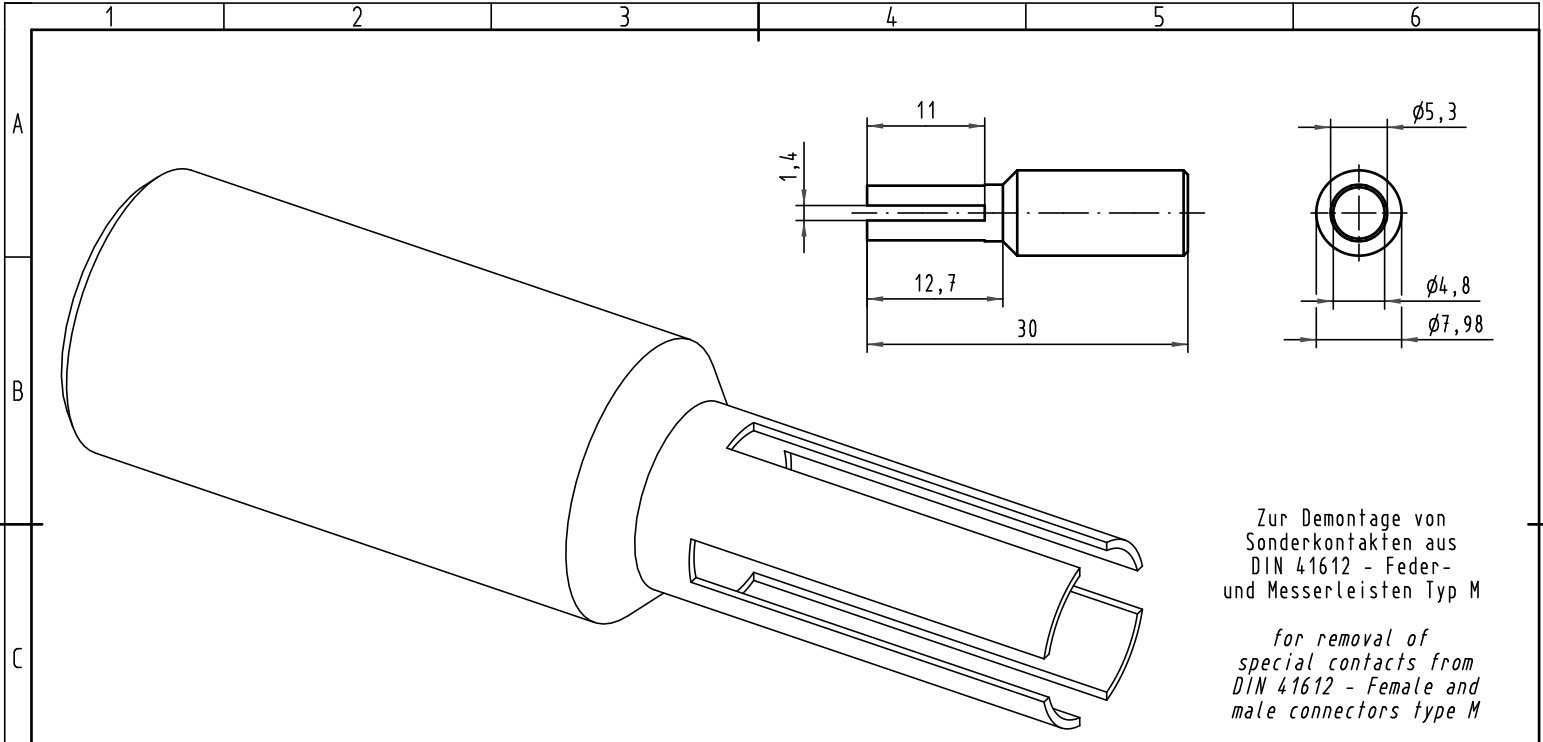
Excellent Integrated System Limited

Stocking Distributor

Click to view price, real time Inventory, Delivery & Lifecycle Information:


[Harting](#)
[09990000243](#)

For any questions, you can email us directly:
sales@integrated-circuit.com



Zur Demontage von
 Sonderkontakten aus
 DIN 41612 - Feder-
 und Messerleisten Typ M

for removal of
 special contacts from
 DIN 41612 - Female and
 male connectors type M

| | | | | | | | | | |
|--|------|------|--|----------|-----|--|--|------------------|----------------------|
|  All Dimensions in mm Original Size DIN A 4 | | | Techn. Character. | | | Nicht tolerierte Maß/Free size tolerances | | | |
| | | | | | | Ersatzhülse für Demontage- werkzeug 09 99 000 0174 Replacement removal jacket for removal tool 09 99 000 0174 | | | |
| | | | Detail. | 08.02.10 | VF | | | | Maßstab/Scale 2:1 |
| | | | Insp. | 08.02.10 | Wae | | | | |
| | | | Stand. | | | | | | |
| 35972 | | | HARTING Electronics GmbH & Co. KG D-32339 ESPELKAMP | | | TB 09 99 000 0243 | | Blatt/ page / | |
| Mod. | Dat. | Name | | | | Sub. | | | |