

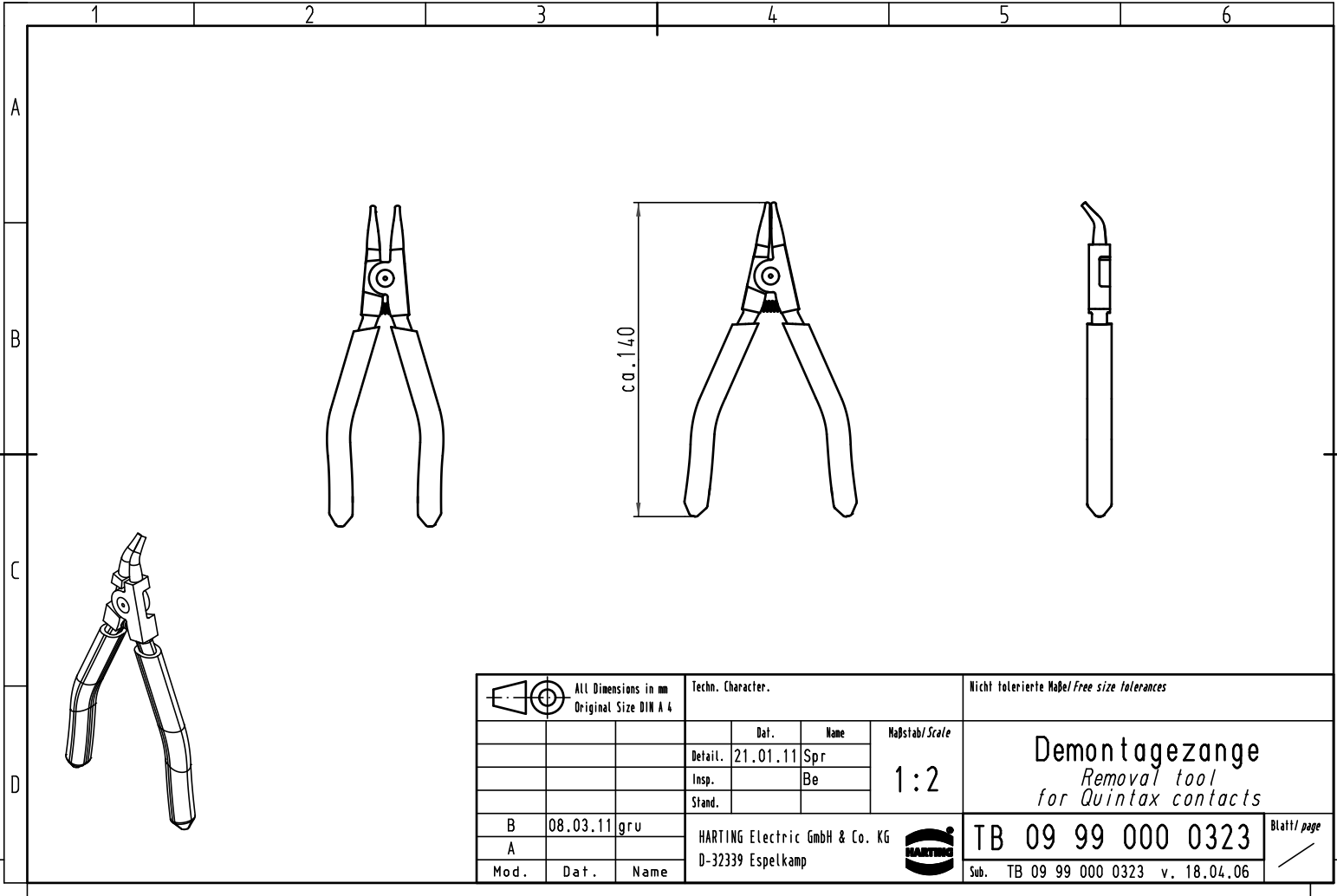
Excellent Integrated System Limited



Stocking Distributor

Click to view price, real time Inventory, Delivery & Lifecycle Information:

[Harting](#)
[09990000323](#)

For any questions, you can email us directly:
sales@integrated-circuit.com



 All Dimensions in mm Original Size DIN A 4			Techn. Character.			Nicht tolerierte Maß/Free size tolerances			
				Dat.	Name	Maßstab/Scale 1:2	Demontagezange <i>Removal tool for Quintax contacts</i>		
			Detail.	21.01.11	Spr				
			Insp.		Be				
			Stand.						
B	08.03.11	gru	HARTING Electric GmbH & Co. KG				TB 09 99 000 0323		Blatt/ page
A			D-32339 Espelkamp						
Mod.	Dat.	Name				Sub. TB 09 99 000 0323 v. 18.04.06			