

Excellent Integrated System Limited

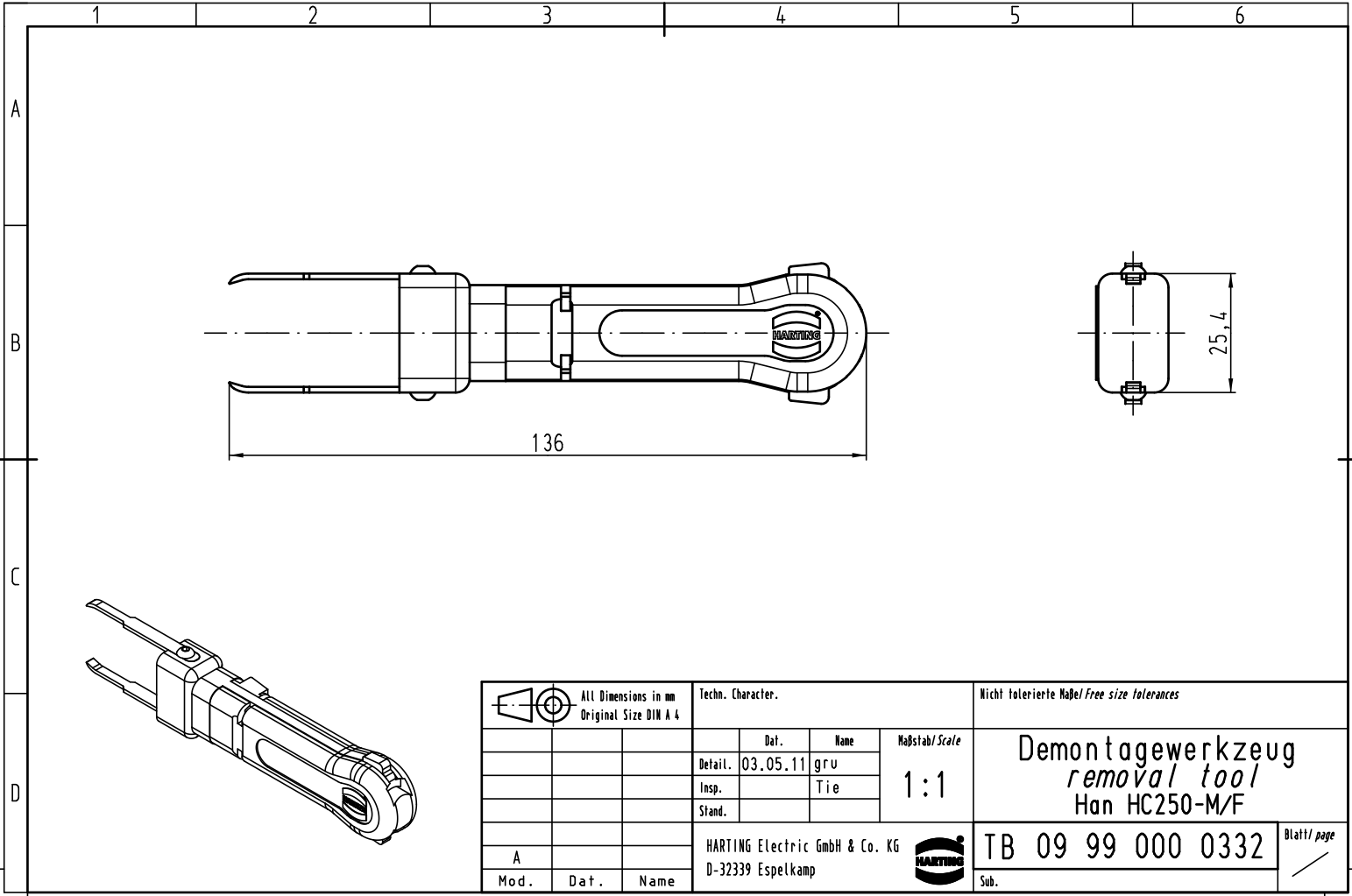
Stocking Distributor



Click to view price, real time Inventory, Delivery & Lifecycle Information:

[Harting](#)
[09990000332](#)

For any questions, you can email us directly:
sales@integrated-circuit.com

Alle Rechte vorbehalten/ All rights reserved



| | | | | | | | | | |
|--|------|------|--------------------------------|----------|-----|---|---|--|-------------|
|  All Dimensions in mm Original Size DIN A 4 | | | Techn. Character. | | | Nicht tolerierte Maß/Free size tolerances | | | |
| | | | | | | Maßstab/Scale 1:1 | Demontagewerkzeug <i>removal tool</i> Han HC250-M/F | | |
| | | | Detail. | 03.05.11 | gru | | | | |
| | | | Insp. | | Tie | | | | |
| | | | Stand. | | | | | | |
| A | | | HARTING Electric GmbH & Co. KG | | |  | TB 09 99 000 0332 | | Blatt/ page |
| Mod. | Dat. | Name | D-32339 Espelkamp | | | | Sub. | | |