

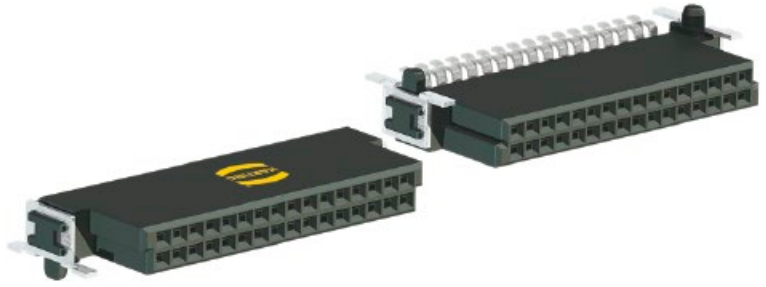
Excellent Integrated System Limited

Stocking Distributor

Click to view price, real time Inventory, Delivery & Lifecycle Information:

[Harting](#)
[09990000522](#)

For any questions, you can email us directly:
sales@integrated-circuit.com



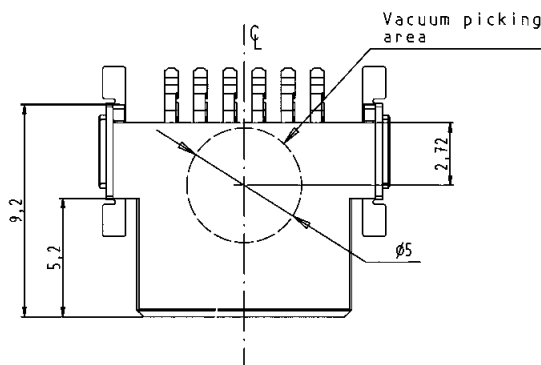
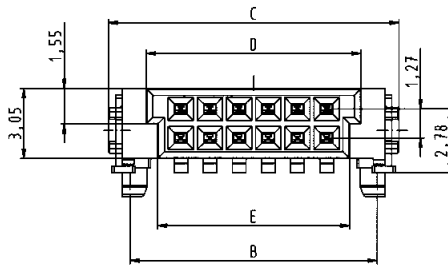
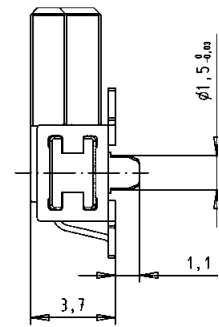
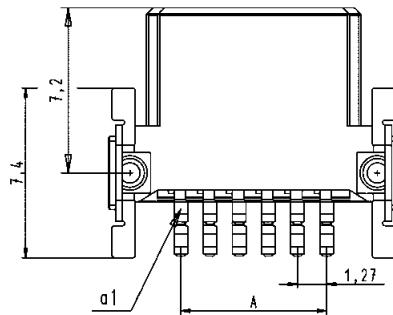
Female connectors, angled

Identification

Drawing

Dimensions in mm

Dimensions



PCB layout

