

Excellent Integrated System Limited

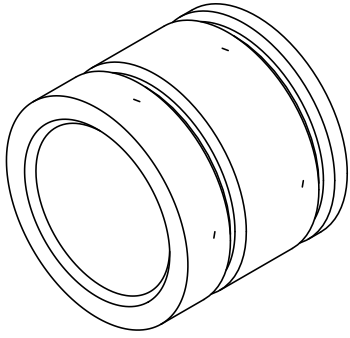
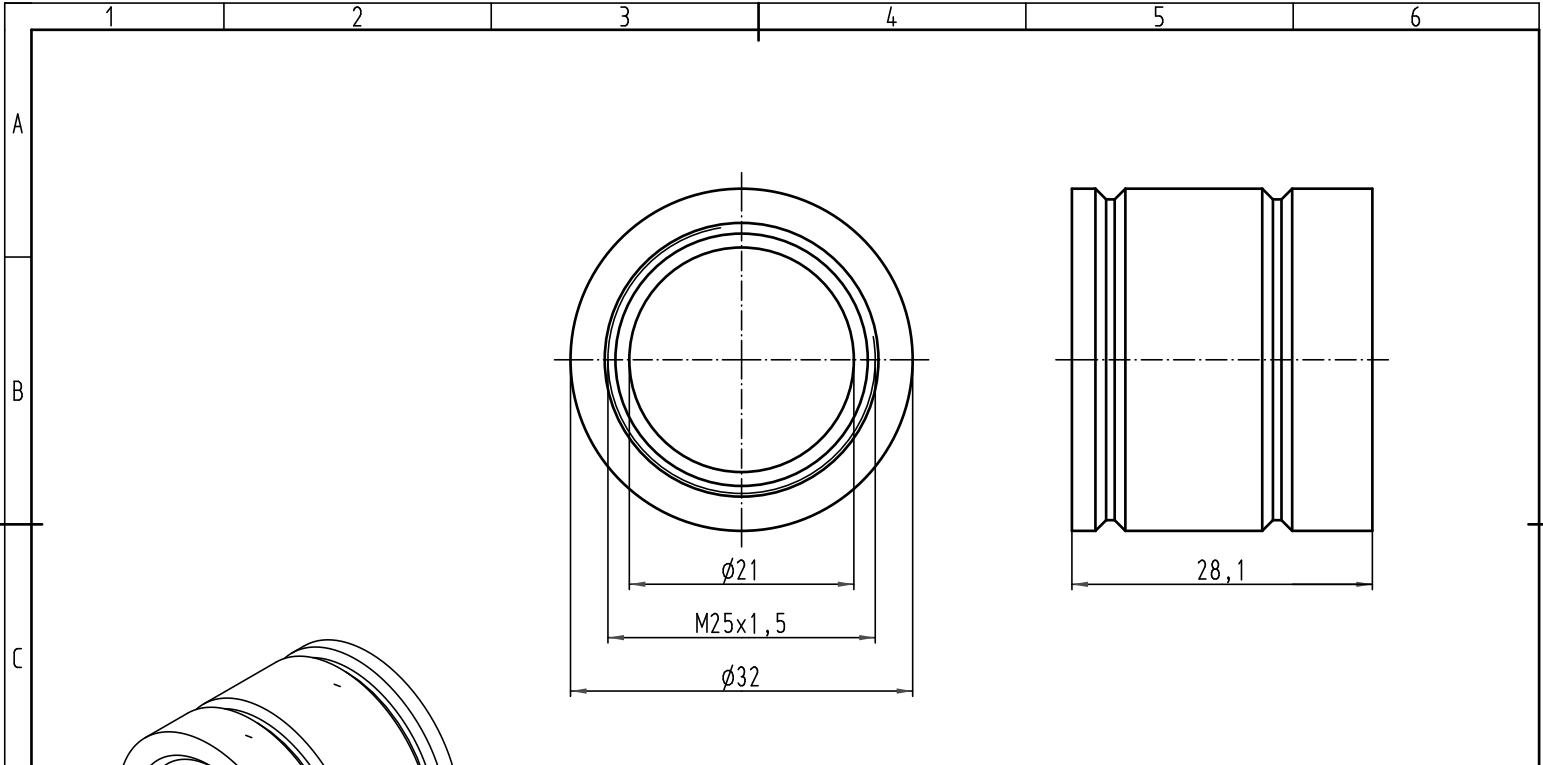
Stocking Distributor


Click to view price, real time Inventory, Delivery & Lifecycle Information:

[Harting](#)
[11300009961](#)

For any questions, you can email us directly:
sales@integrated-circuit.com

Alle Rechte vorbehalten/ All rights reserved



 All Dimensions in mm Original Size DIN A 4		Techn. Character.			Nicht tolerierte Masse / Free size tolerances	
			Dat. 27.04.07 Insp. Stand.	Name Bor Be	Massstab/Scale 2:1	Wellrohradapter M25 <i>Thread adaptor M25</i> Han Easy Hood
412883			HARTING Electric GmbH & Co. KG D-32339 Espelkamp			
Mod.	Dat.	Name				

