

Excellent Integrated System Limited

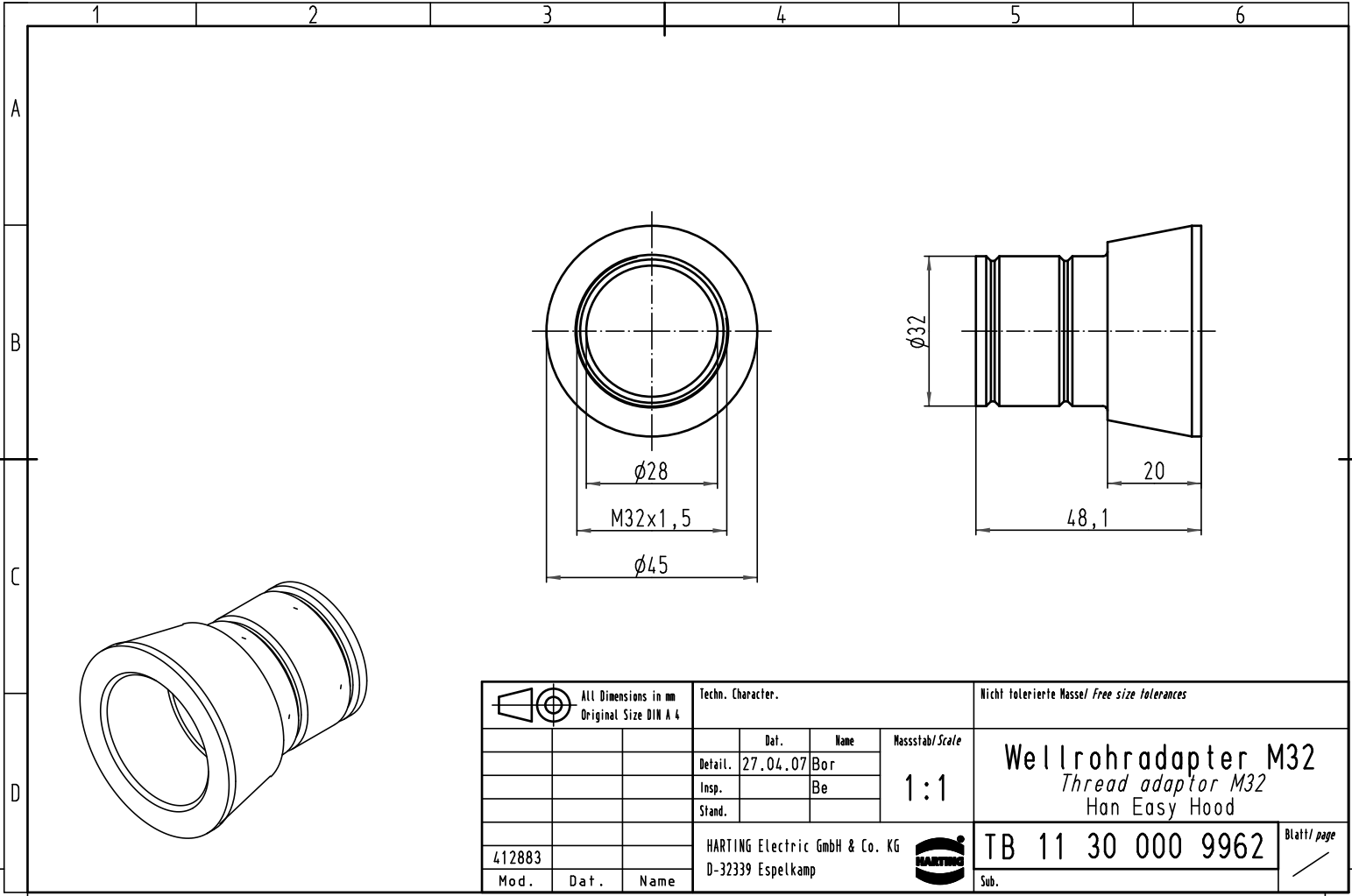
Stocking Distributor

Click to view price, real time Inventory, Delivery & Lifecycle Information:

[Harting](#)
[11300009962](#)

For any questions, you can email us directly:
sales@integrated-circuit.com

Alle Rechte vorbehalten/ All rights reserved



		Techn. Character.			Nicht tolerierte Masse / Free size tolerances		
			Dat.	Name	Massstab/Scale 1:1	Wellrohradapter M32 <i>Thread adaptor M32</i> Han Easy Hood	
			Detail.	27.04.07			Bor
			Insp.				Be
			Stand.				
412883			HARTING Electric GmbH & Co. KG D-32339 Espelkamp			TB 11 30 000 9962	
Mod.	Dat.	Name					Blatt/ page Sub.