

Excellent Integrated System Limited

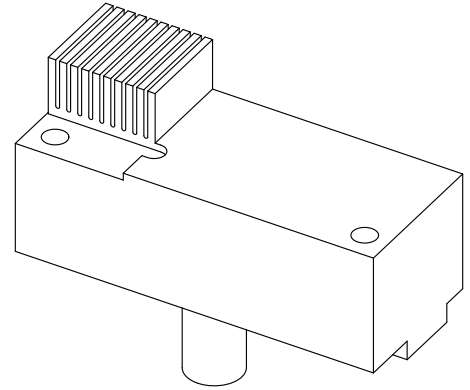
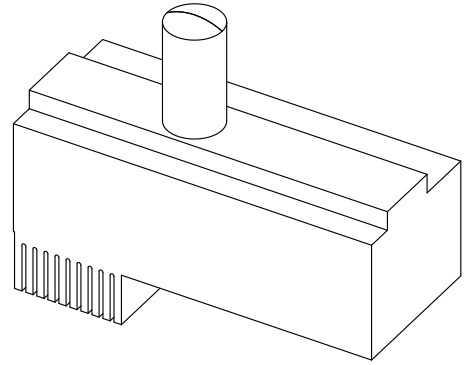
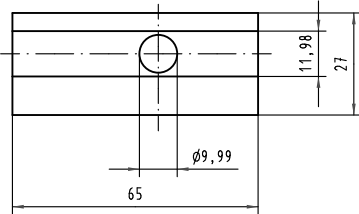
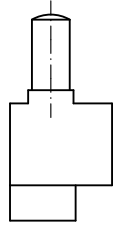
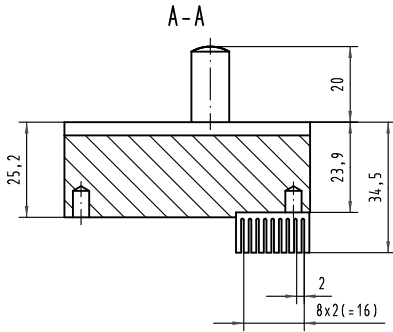
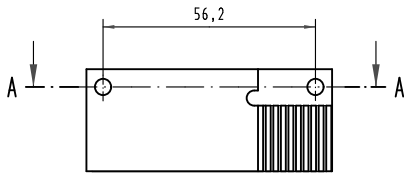
Stocking Distributor

Click to view price, real time Inventory, Delivery & Lifecycle Information:

[Harting](#)
[16990000008000](#)

For any questions, you can email us directly:
sales@integrated-circuit.com

Alle Rechte vorbehalten. All rights reserved.



All Dimensions in mm Original Size DIN A 3		Techn. Character.		Nicht tolerierte Maß/Free size tolerances	
		Bel. 15.08.07 Insp. 04.07.09 Stand.	Name Wae HÄ	Maßstab/Scale 1:1	Oberstempel/Top tool <i>MicroTCA backplane power connector</i>
34623		HARTING Electronics GmbH & Co. KG D-32339 ESPELKAMP			TB 16 99 000 0008 000 Sub.
Mod.	Dat.	Name			Blatt/page /