

Excellent Integrated System Limited

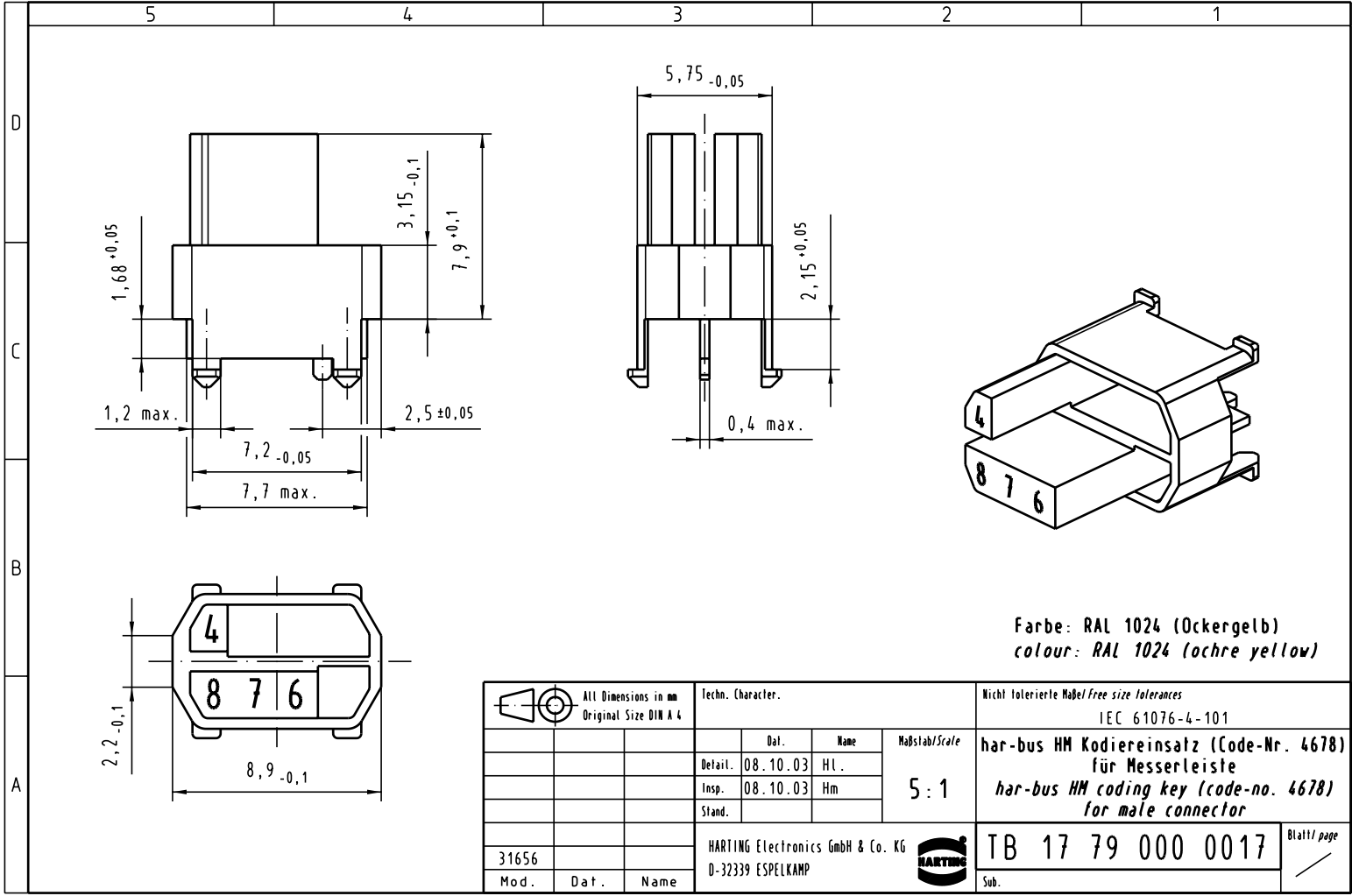
Stocking Distributor

Click to view price, real time Inventory, Delivery & Lifecycle Information:

[Harting](#)
[17790000017](#)

For any questions, you can email us directly:
sales@integrated-circuit.com

Alle Rechte vorbehalten/ All rights reserved



All Dimensions in mm Original Size DIN A 4		Techn. Character.			Nicht lotierte Nadel Free size tolerances IEC 61076-4-101	
			Dat.	Name	Maßstab/Scale 5:1	har-bus HM Kodierteinsatz (Code-Nr. 4678) für Messerleiste har-bus HM coding key (code-no. 4678) for male connector
			Detail.	HL.		
			Insp.	Hm		
			Stand.			
31656			HARTING Electronics GmbH & Co. KG D-32339 ESPELKAMP			TB 17 79 000 0017 Sub.
Mod.	Dat.	Name				