

Excellent Integrated System Limited

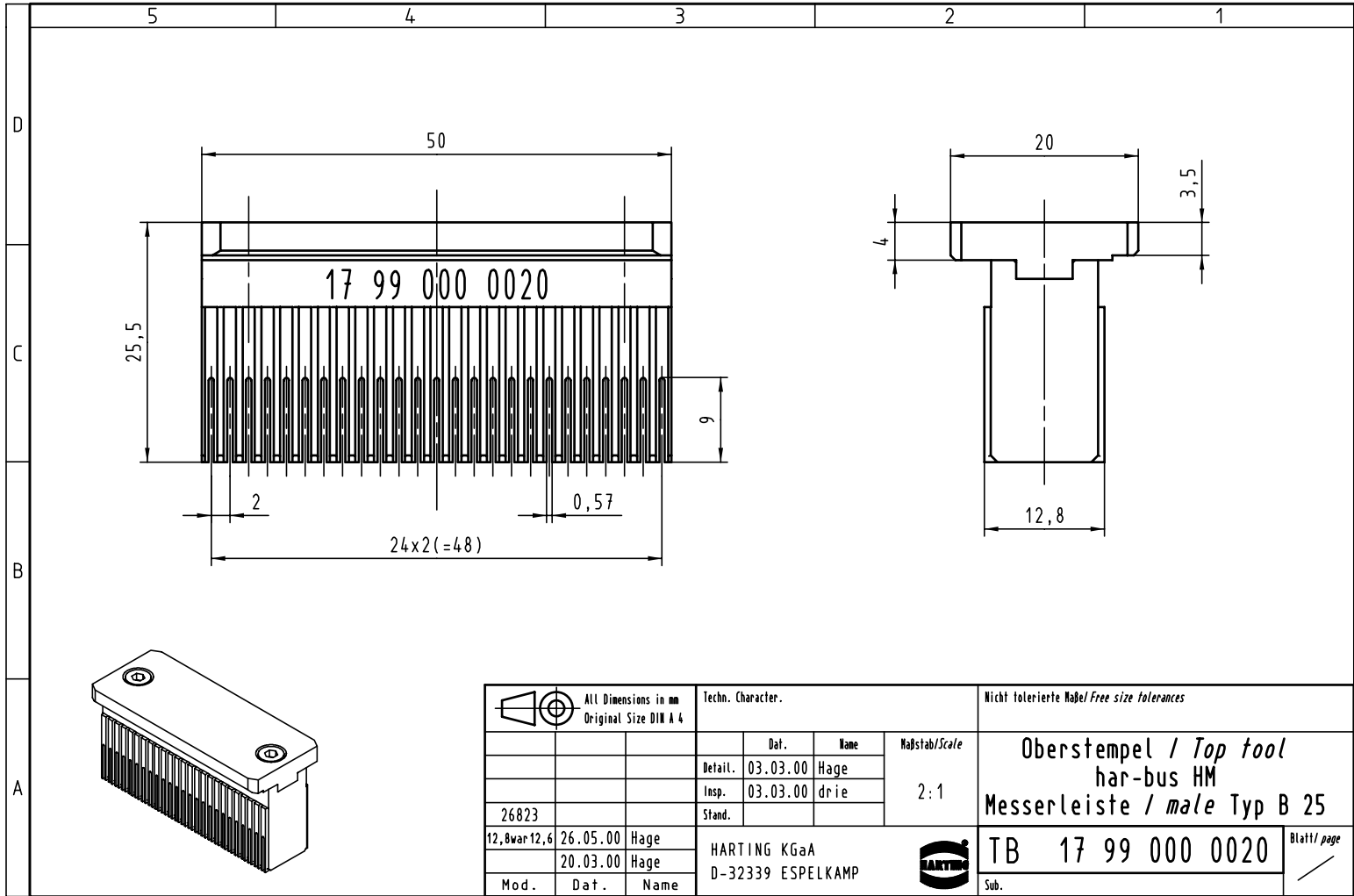
Stocking Distributor

Click to view price, real time Inventory, Delivery & Lifecycle Information:

[Harting](#)
[17990000020](#)

For any questions, you can email us directly:
sales@integrated-circuit.com

Alle Rechte vorbehalten/ All rights reserved



All Dimensions in mm Original Size DIN A 4			Techn. Character.			Nicht tolerierte Maß/ Free size tolerances		
			Def.	Name	Maßstab/Scale 2:1	Oberstempel / Top tool har-bus HM Messerleiste / male Typ B 25		
			Detail.	03.03.00 Hage				
			Insp.	03.03.00 drie				
26823			Stand.			TB 17 99 000 0020		
12,8war12,6	26.05.00	Hage	HARTING KGaA					
	20.03.00	Hage	D-32339 ESPELKAMP					
Mod.	Dat.	Name						