

Excellent Integrated System Limited

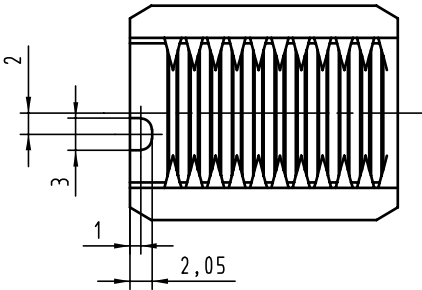
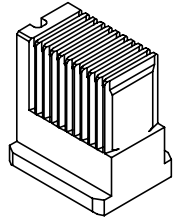
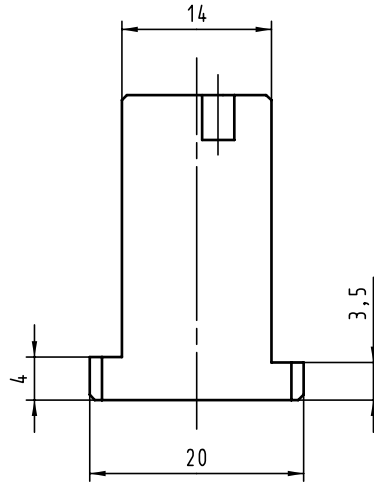
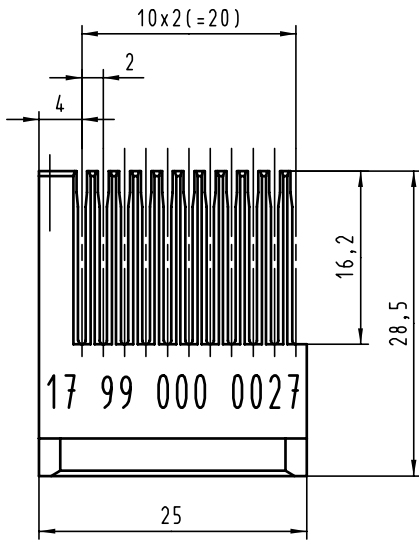
Stocking Distributor

Click to view price, real time Inventory, Delivery & Lifecycle Information:

[Harting](#)
[1799000027](#)

For any questions, you can email us directly:
sales@integrated-circuit.com

5 4 3 2 1



All Dimensions in mm Original Size DIN A 4		Techn. Character.			Nicht tolerierte Maß/Free size tolerances	
			Def.	Name	Maßstab/Scale 2:1	Unterstempel / Bottom tool har-bus HM Messerleiste / male Typ C
			Detail.	23.02.00 Hage		
			Insp.	23.02.00 drie		
			Stand.			
26823			HARTING KGaA			TB 17 99 000 0027
	04.05.00	Hage	D-32339 ESPELKAMP			
Mod.	Dat.	Name				Blatt/ page
			Sub.			/