

Excellent Integrated System Limited

Stocking Distributor

Click to view price, real time Inventory, Delivery & Lifecycle Information:

[Harting](#)
[17990000045](#)

For any questions, you can email us directly:
sales@integrated-circuit.com

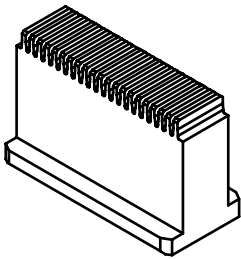
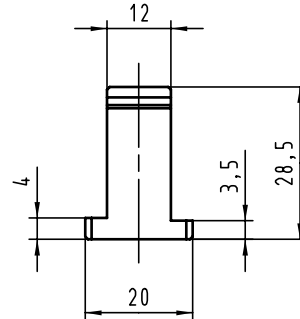
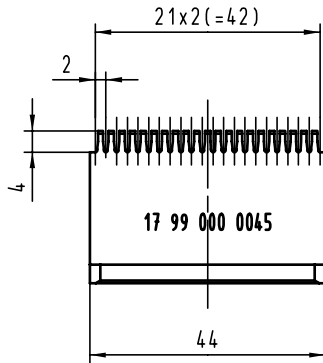
5

4

3

2

1



			Techn. Character.			Nicht tolerierte Maß/Free size tolerances			
			Def.	Name	Maßstab/Scale 1:1	Unterstempel / Bottom tool har-bus HM Federleiste / female Typ B 22, AB 22			
			Defail.	22.02.00 Hage					
			Insp.	22.02.00 drie					
			Stand.						
26823			HARTING KGaA D-32339 ESPELKAMP				TB 17 99 000 0045		Blatt/ page /
	21.03.00	Hage			Sub.				
Mod.	Dat.	Name							