

Excellent Integrated System Limited

Stocking Distributor

Click to view price, real time Inventory, Delivery & Lifecycle Information:

[Harting](#)
[17990000046](#)

For any questions, you can email us directly:
sales@integrated-circuit.com

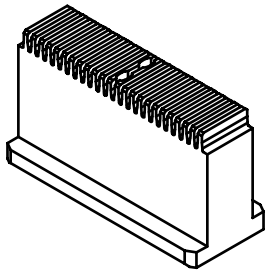
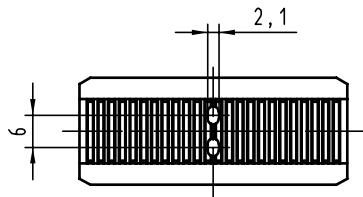
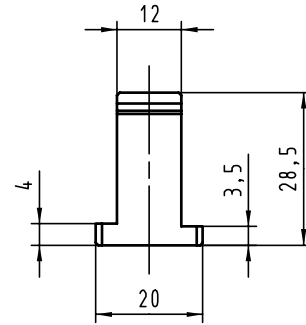
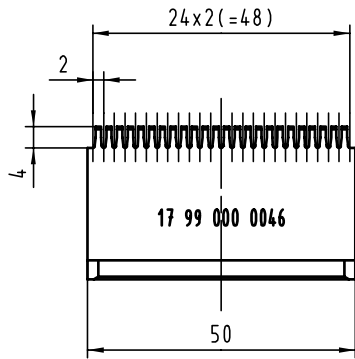
5

4

3

2

1



			Techn. Character.			Nicht tolerierte Maß/ Free size tolerances										
			<table border="1"> <tr> <th>Dat.</th> <th>Name</th> <th>Maßstab/Scale</th> </tr> <tr> <td>22.02.00</td> <td>Hage</td> <td rowspan="3">1:1</td> </tr> <tr> <td>22.02.00</td> <td>dr ie</td> </tr> <tr> <td></td> <td></td> </tr> </table>	Dat.	Name	Maßstab/Scale	22.02.00	Hage	1:1	22.02.00	dr ie			Unterstempel / Bottom tool har-bus HM Federleiste / female Typ A, B 25, AB 25		
Dat.	Name	Maßstab/Scale														
22.02.00	Hage	1:1														
22.02.00	dr ie															
26823			HARTING KGaA D-32339 ESPELKAMP			TB 17 99 000 0046										
Mod.	Dat.	Name				Blatt/ page Sub.										