

## Excellent Integrated System Limited

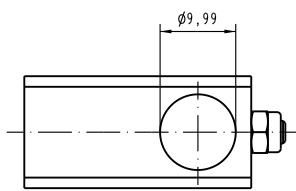
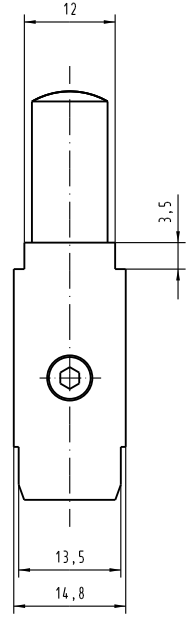
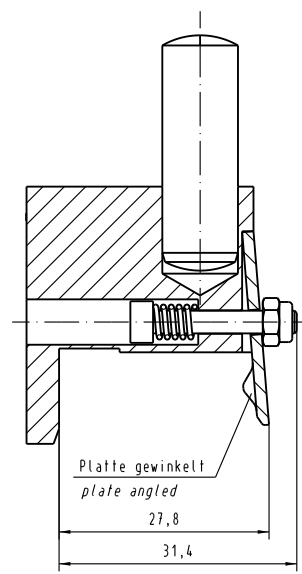
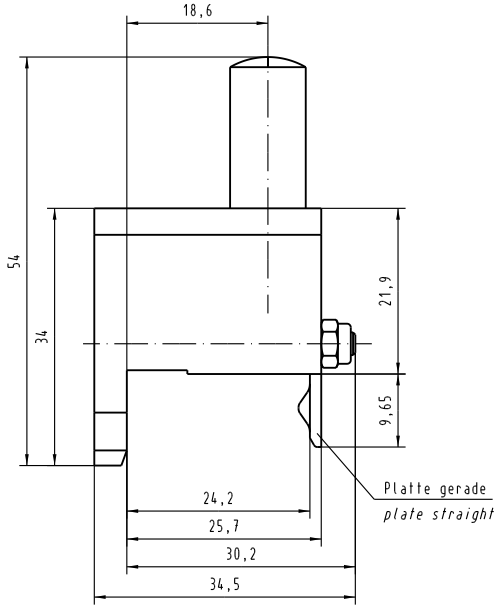
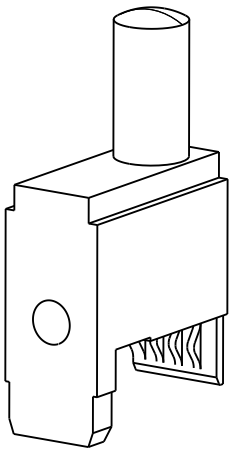
Stocking Distributor

Click to view price, real time Inventory, Delivery & Lifecycle Information:

[Harting](#)  
[17990000102](#)

For any questions, you can email us directly:  
[sales@integrated-circuit.com](mailto:sales@integrated-circuit.com)

Alle Rechte vorbehalten. All rights reserved.



	All Dimensions in mm Original Size DIN A 3			Techn. Character.		Nicht tolerierte Maß / free size tolerances	
		Bit.	Name	Maßstab/Scale		<b>Oberwerkzeug / Top Tool</b> <i>har-bus HM power, male, angled</i>	
		Defalt.	21.03.06 Wae	2:1			
		Resp.	27.03.06 Hä				
	Stand.						
33386	HARTING Electronics GmbH & Co. KG					TB 17 99 000 0102	
Mod.	Dat.	Name	D-32339 ESPELKAMP			Sub.	