

Excellent Integrated System Limited

Stocking Distributor

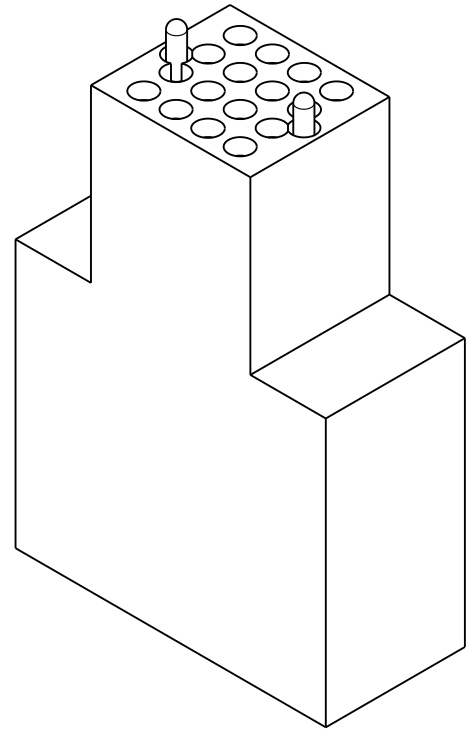
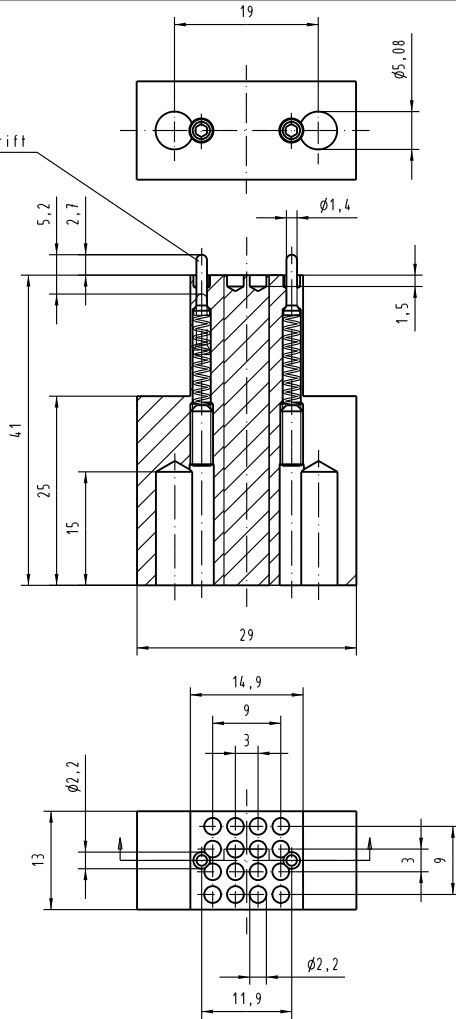
Click to view price, real time Inventory, Delivery & Lifecycle Information:

[Harting](#)
[17990000103](#)

For any questions, you can email us directly:
sales@integrated-circuit.com

Alle Rechte vorbehalten. All rights reserved

federnder Positionierstift
spring positioning pin



All Dimensions in mm Original Size DIN A 3	Techn. Character.			Nicht tolerierte Maß/ free size tolerances	
	Bit.	Name	Maßstab/Scale	Unterwerkzeug / Bottom Tool <i>har-bus HM power, male, angled</i>	
Defalt. 23.03.06 Wae		2:1			
Resp. 27.03.06 Hä					
	Stand.			TB 17 99 000 0103 <small>Blatt/ page</small>	
33386	HARTING Electronics GmbH & Co. KG				
Mod.	Dat.	Name	D-32339 ESPELKAMP	Sub.	