

## Excellent Integrated System Limited

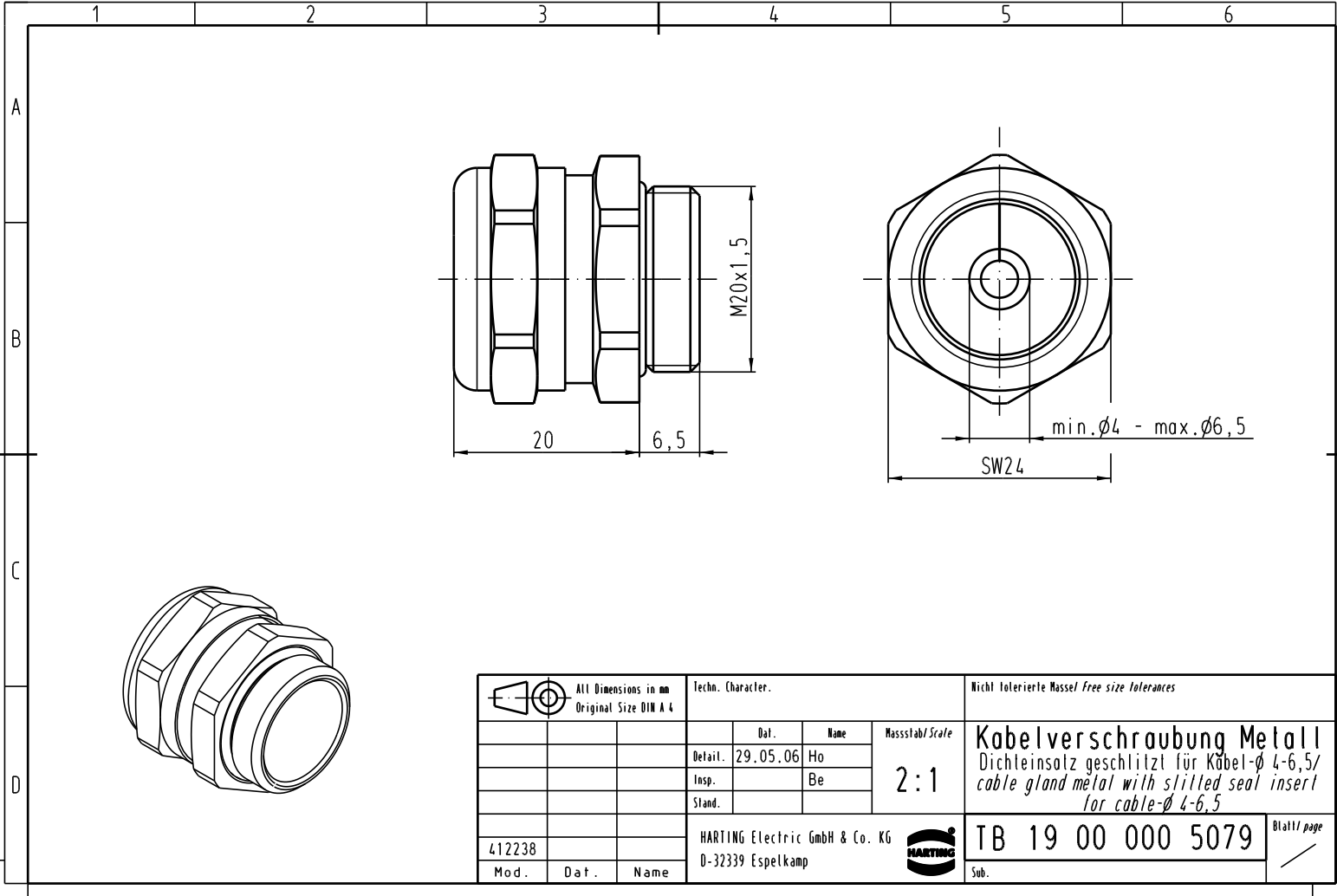
Stocking Distributor

Click to view price, real time Inventory, Delivery & Lifecycle Information:

[Harting](#)  
[19000005079](#)

For any questions, you can email us directly:  
[sales@integrated-circuit.com](mailto:sales@integrated-circuit.com)

Alle Rechte vorbehalten/ All rights reserved



All Dimensions in mm Original Size DIN A 4			Techn. Character.			Nicht tolerierte Masse free size tolerances			
				Dat.	Name	Massestab/Scale <b>2:1</b>	<b>Kabelverschraubung Metall</b> Dichtelement geschlitz für Kabel- $\phi$ 4-6,5/ cable gland metal with slitted seal insert for cable- $\phi$ 4-6,5		
				Detail.	29.05.06				Ho
				Insp.					Be
				Stand.					
412238			HARTING Electric GmbH & Co. KG				TB 19 00 000 5079		
Mod.	Dat.	Name	D-32339 Espelkamp				Sub.	Blatt/ page	