

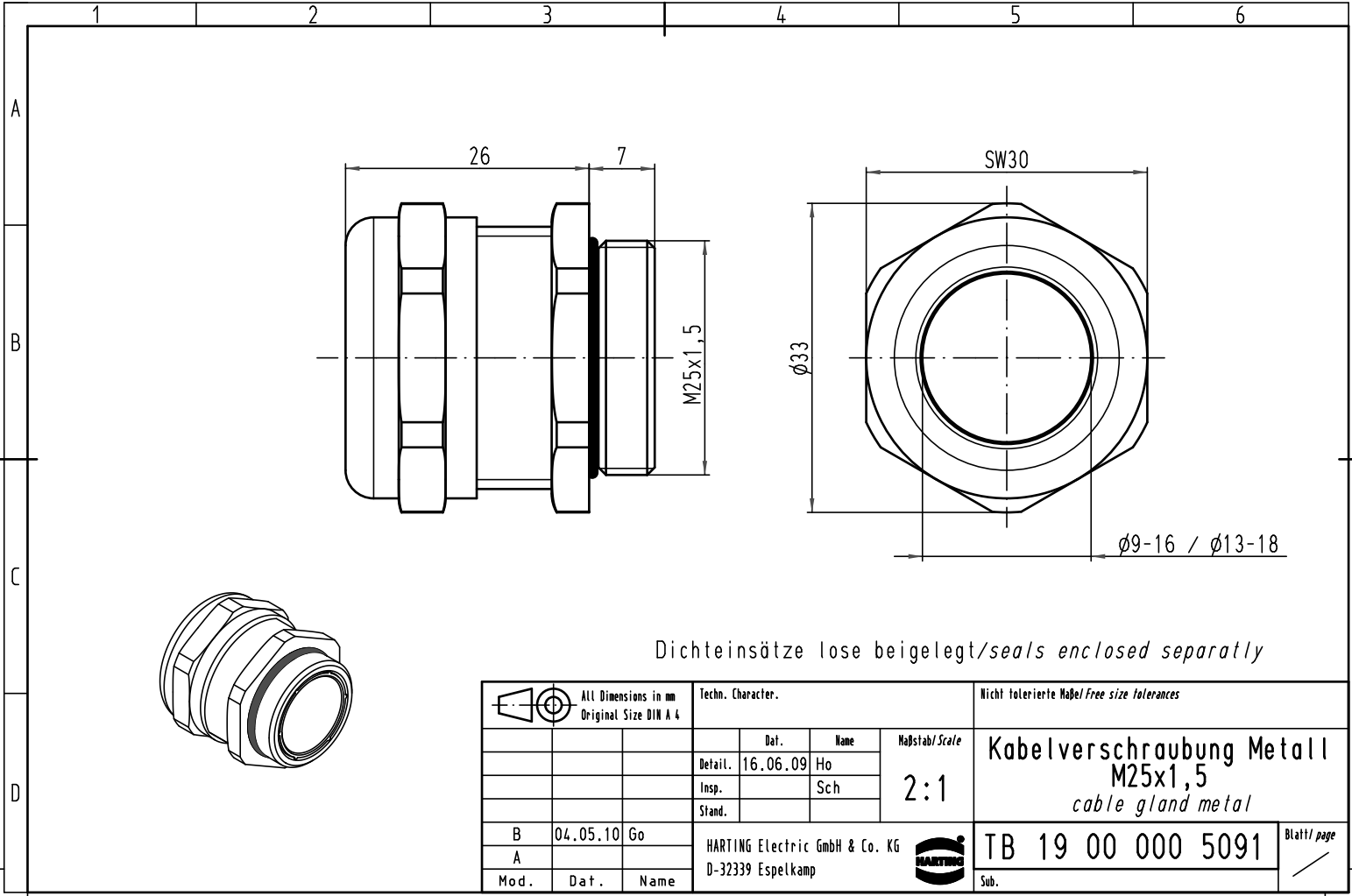
Excellent Integrated System Limited

Stocking Distributor



Click to view price, real time Inventory, Delivery & Lifecycle Information:

[Harting](#)
[19000005091](#)

For any questions, you can email us directly:
sales@integrated-circuit.com



Dichteinsätze lose beigelegt/seals enclosed separatly

 All Dimensions in mm Original Size DIN A 4			Techn. Character.			Nicht tolerierte Maß/Free size tolerances		
			Detail.	16.06.09	Ho	Maßstab/Scale 2:1	Kabelverschraubung Metall M25x1,5 <i>cabl gland metal</i>	
			Insp.		Sch			
			Stand.					
B	04.05.10	Go	HARTING Electric GmbH & Co. KG				TB 19 00 000 5091	
A			D-32339 Espelkamp				Sub.	Blatt/ page
Mod.	Dat.	Name						