

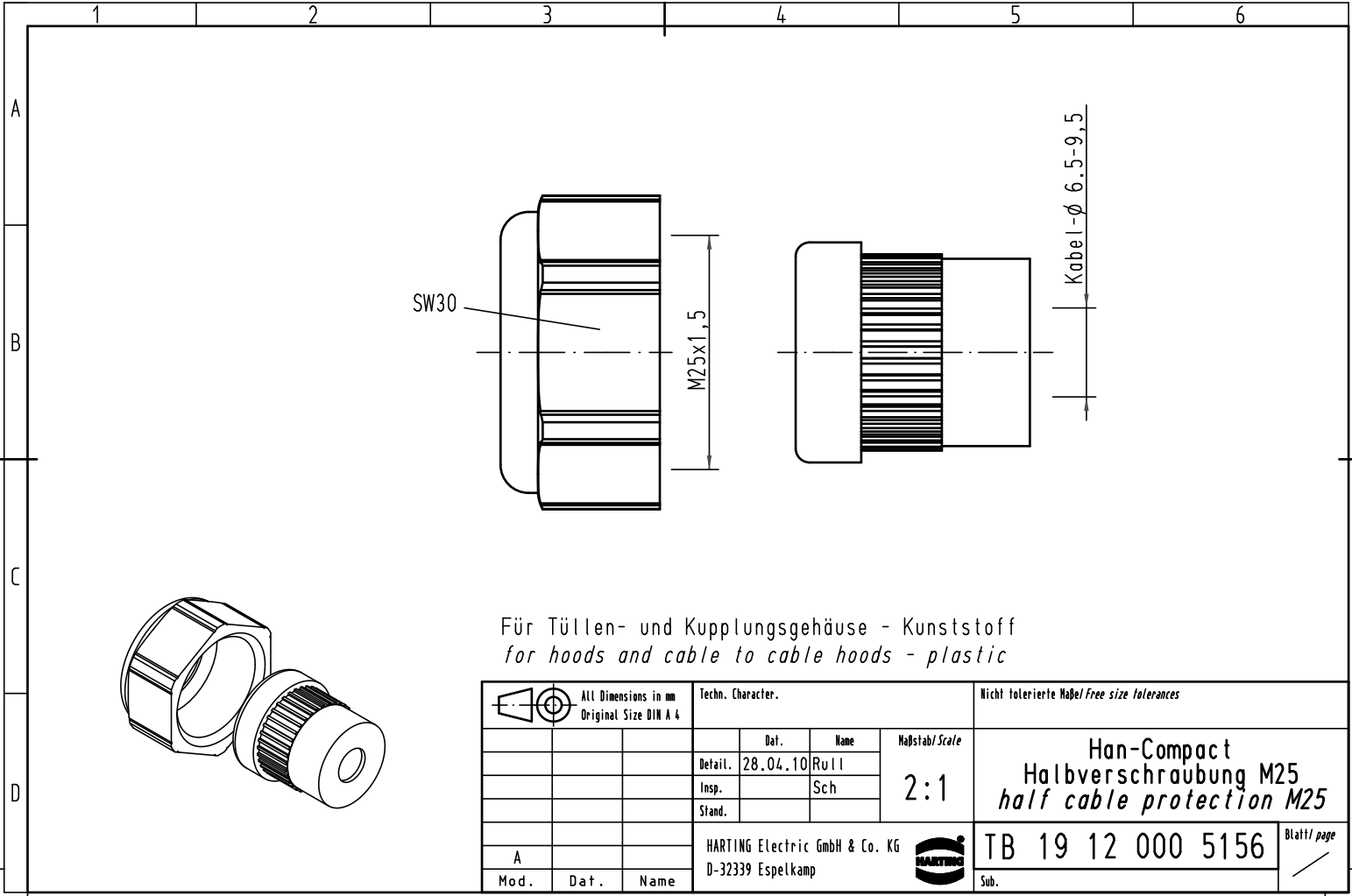
## Excellent Integrated System Limited

Stocking Distributor

Click to view price, real time Inventory, Delivery & Lifecycle Information:

[Harting](#)  
[19120005156](#)

For any questions, you can email us directly:  
[sales@integrated-circuit.com](mailto:sales@integrated-circuit.com)



Für Tüllen- und Kupplungsgehäuse - Kunststoff  
for hoods and cable to cable hoods - plastic

All Dimensions in mm Original Size DIN A 4			Techn. Character.			Nicht tolerierte Maß/Free size tolerances		
			Detail.	28.04.10	Rull	Maßstab/Scale <b>2:1</b>	<b>Han-Compact</b> <b>Halbverschraubung M25</b> <i>half cable protection M25</i>	
			Insp.		Sch			
			Stand.					
A			HARTING Electric GmbH & Co. KG				TB 19 12 000 5156	
Mod.	Dat.	Name	D-32339 Espelkamp				Sub.	Blatt/ page