

Excellent Integrated System Limited

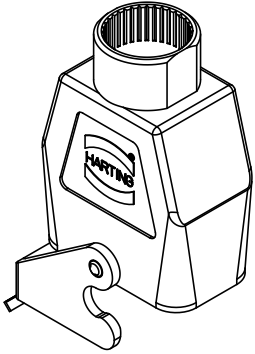
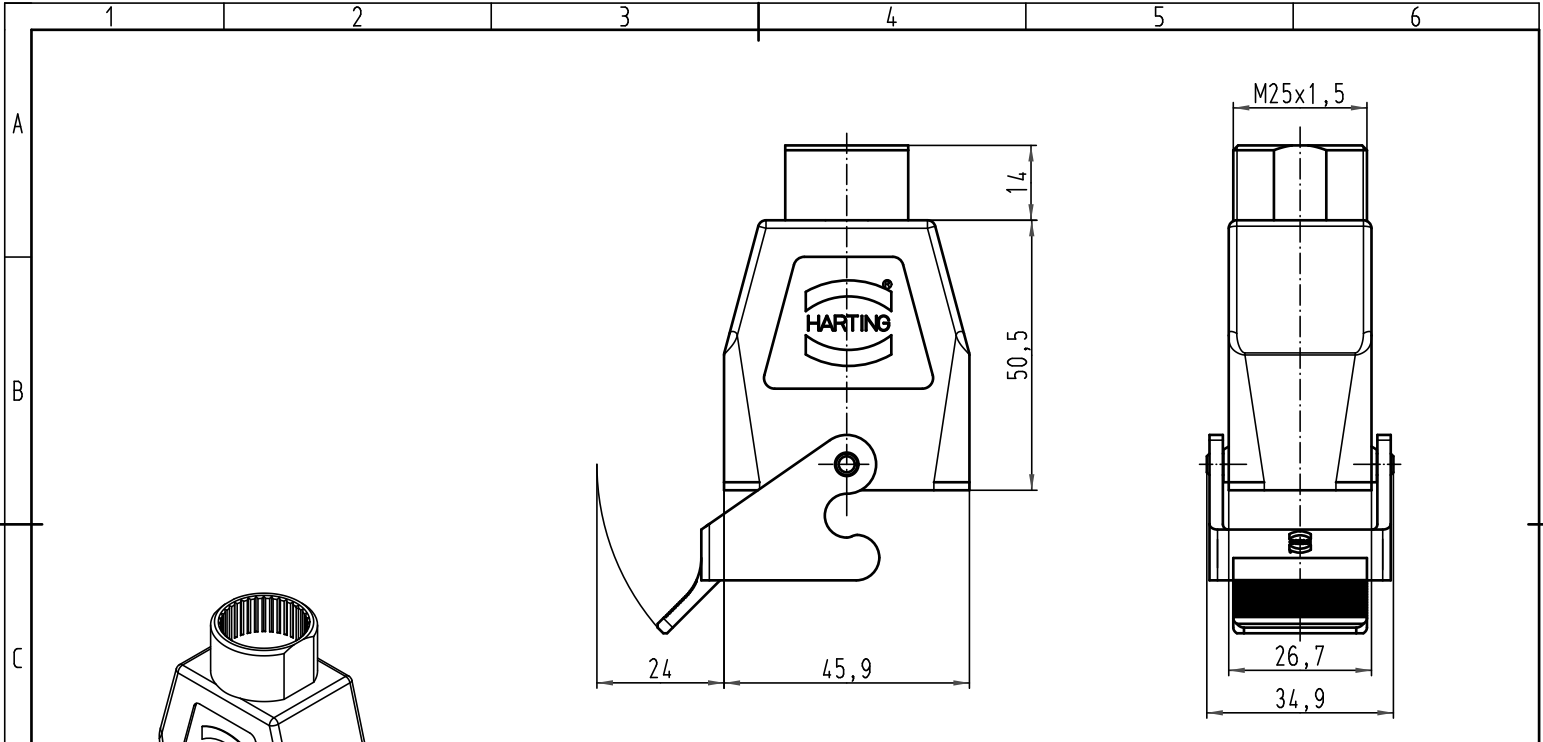
Stocking Distributor

Click to view price, real time Inventory, Delivery & Lifecycle Information:

[Harting](#)
[19120080729](#)

For any questions, you can email us directly:
sales@integrated-circuit.com

Alle Rechte vorbehalten/ All rights reserved



All Dimensions in mm Original Size DIN A 4			Techn. Character.			Nicht tolerierte Maß/Free size tolerances	
			Detail.	Dat.	Name	Maßstab/Scale 1:1	Han Compact-kg-M25 Kupplungsgehäuse-Kunststoff-schwarz hood cable to cable-thermoplastic-black
Insp.		Sch					
Stand.							
A			HARTING Electric GmbH & Co. KG			TB 19 12 008 0729	
Mod.	Dat.	Name	D-32339 Espelkamp			Sub. f. TB 19 12 008 0729 v.07.09.01	



Blatt/ page