

Excellent Integrated System Limited

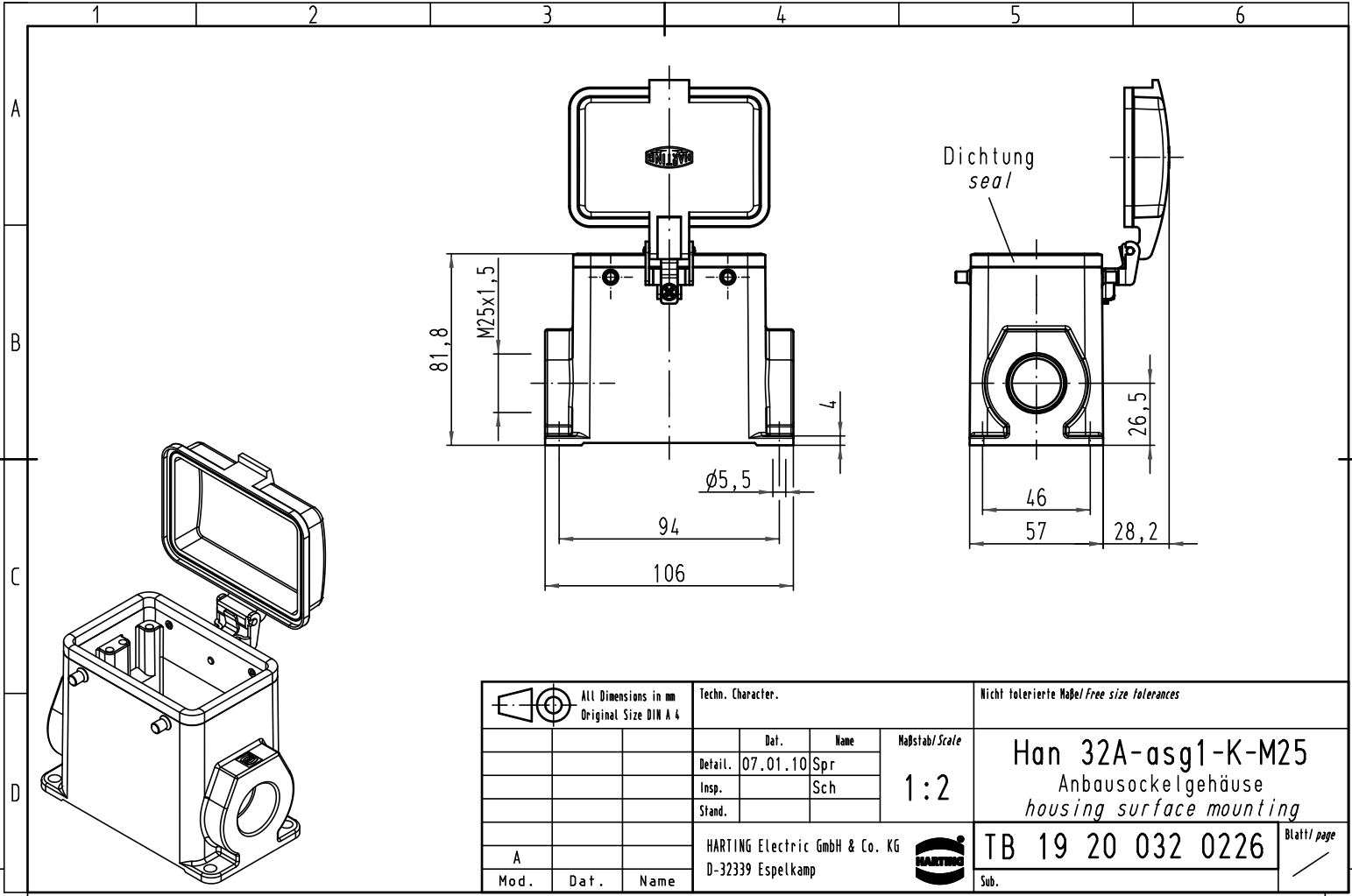
Stocking Distributor

Click to view price, real time Inventory, Delivery & Lifecycle Information:

[Harting](#)
[19200320226](#)

For any questions, you can email us directly:
sales@integrated-circuit.com

Alle Rechte vorbehalten/ All rights reserved



All Dimensions in mm Original Size DIN A 4			Techn. Character.			Nicht tolerierte Maß/Free size tolerances		
						Maßstab/Scale 1:2	Han 32A-asg1-K-M25 Anbausockelgehäuse housing surface mounting	
			Detail.	07.01.10	Spr			
			Insp.		Sch			
			Stand.					
A			HARTING Electric GmbH & Co. KG				TB 19 20 032 0226	
Mod.	Dat.	Name	D-32339 Espelkamp					
						Sub.		