

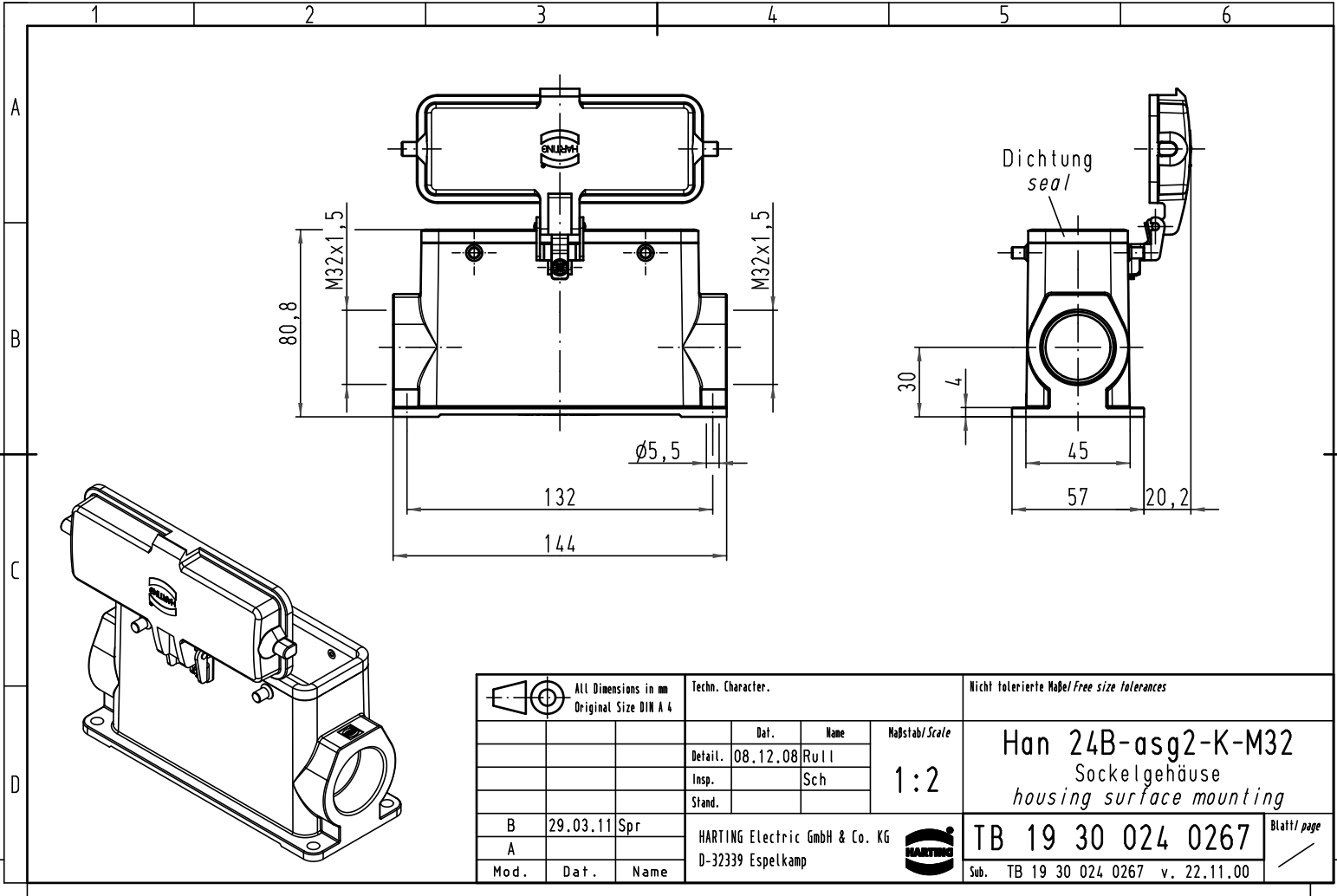
Excellent Integrated System Limited

Stocking Distributor

Click to view price, real time Inventory, Delivery & Lifecycle Information:

[Harting](#)
[19300240267](#)

For any questions, you can email us directly:
sales@integrated-circuit.com



All Dimensions in mm Original Size DIN A 4			Techn. Character.			Nicht tolerierte Maß/Free size tolerances	
				Dat.	Name	Maßstab/Scale 1:2	Han 24B-asg2-K-M32 Sockelgehäuse housing surface mounting
			Detail.	08.12.08	Rull		
			Insp.		Sch		
			Stand.				
B	29.03.11	Spr	HARTING Electric GmbH & Co. KG			TB 19 30 024 0267	Blatt/page
A			D-32339 Espelkamp				
Mod.	Dat.	Name				Sub. TB 19 30 024 0267 v. 22.11.00	