

Excellent Integrated System Limited

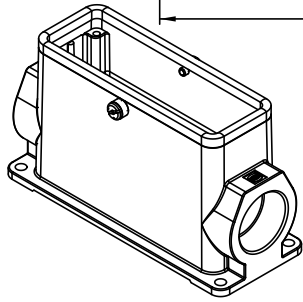
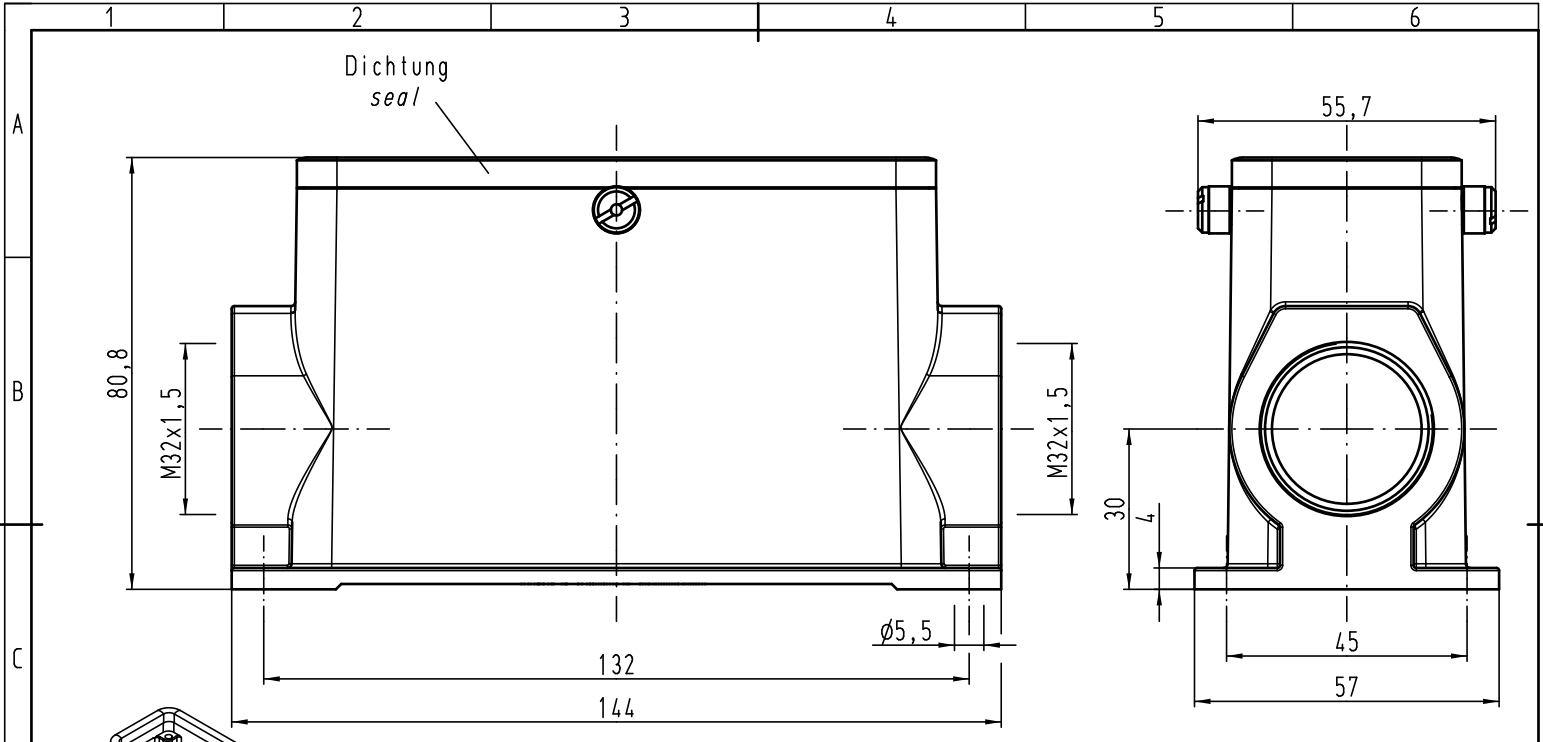
Stocking Distributor

Click to view price, real time Inventory, Delivery & Lifecycle Information:

[Harting](#)
[19300240282](#)

For any questions, you can email us directly:
sales@integrated-circuit.com

Alle Rechte vorbehalten/ All rights reserved



			Techn. Character.			Nicht tolerierte Maß/Free size tolerances		
			Detail.	08.12.08	Rull	Maßstab/Scale 1:1	Han 24B-ASG2-R-M32 Sockelgehäuse housing surface mounting	
			Insp.		Sch			
			Stand.					
C	29.03.12	ML	HARTING Electric GmbH & Co. KG D-32339 Espelkamp				TB 19 30 024 0282	
B	29.03.11	Spr						
A								
Mod.	Dat.	Name					Sub. TB 19 30 024 0282 v. 14.08.01	

Blatt/ page