

Excellent Integrated System Limited

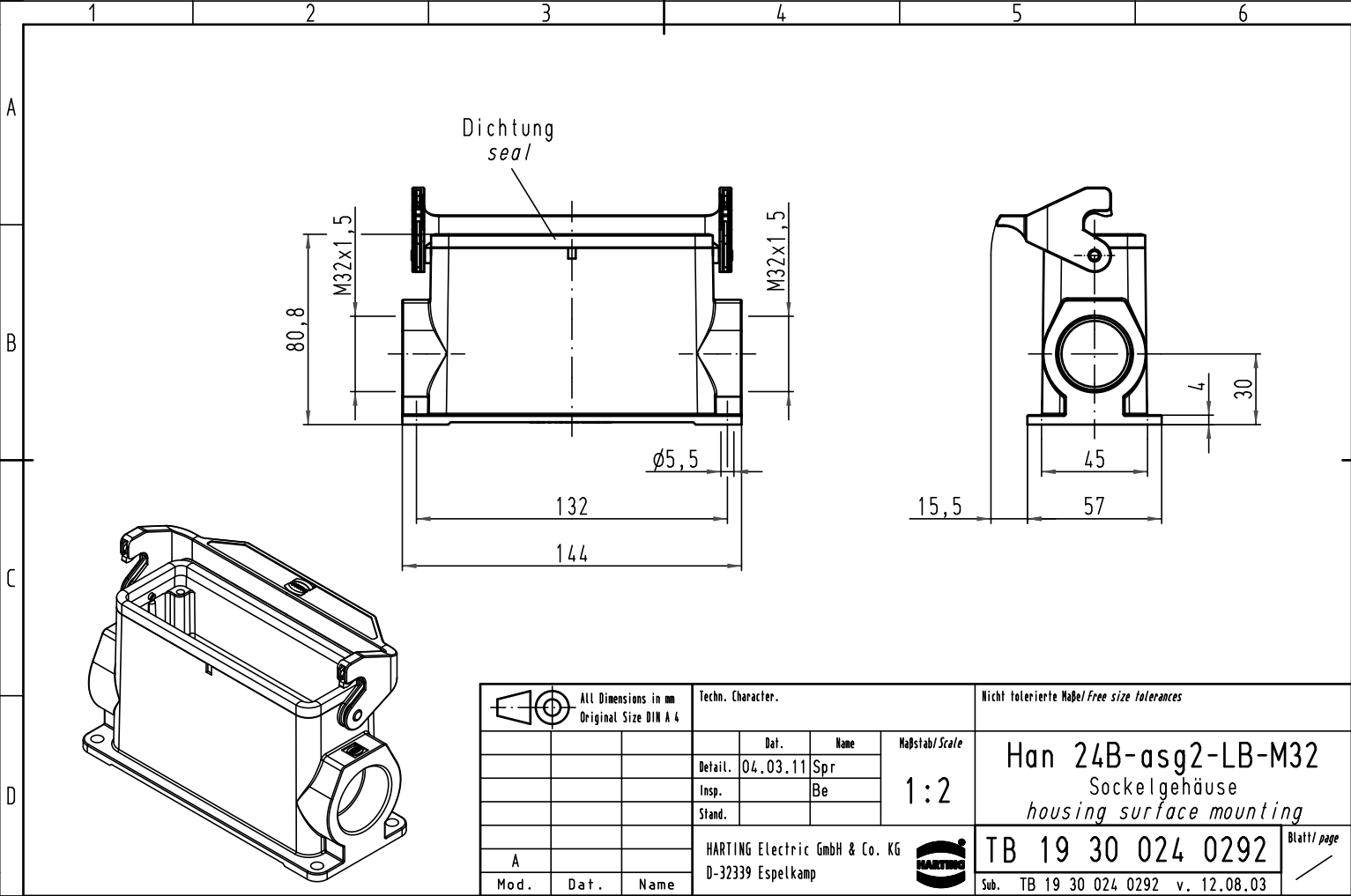
Stocking Distributor


Click to view price, real time Inventory, Delivery & Lifecycle Information:

[Harting](#)
[19300240292](#)

For any questions, you can email us directly:
sales@integrated-circuit.com

Alle Rechte vorbehalten/ All rights reserved



All Dimensions in mm Original Size DIN A 4			Techn. Character.			Nicht tolerierte Maß/Free size tolerances	
			Detail.	04.03.11	Spr	1:2	Han 24B-asg2-LB-M32 Sockelgehäuse housing surface mounting
			Insp.		Be		
			Stand.				
A			HARTING Electric GmbH & Co. KG D-32339 Espelkamp				TB 19 30 024 0292
Mod.	Dat.	Name					Sub. TB 19 30 024 0292 v. 12.08.03