

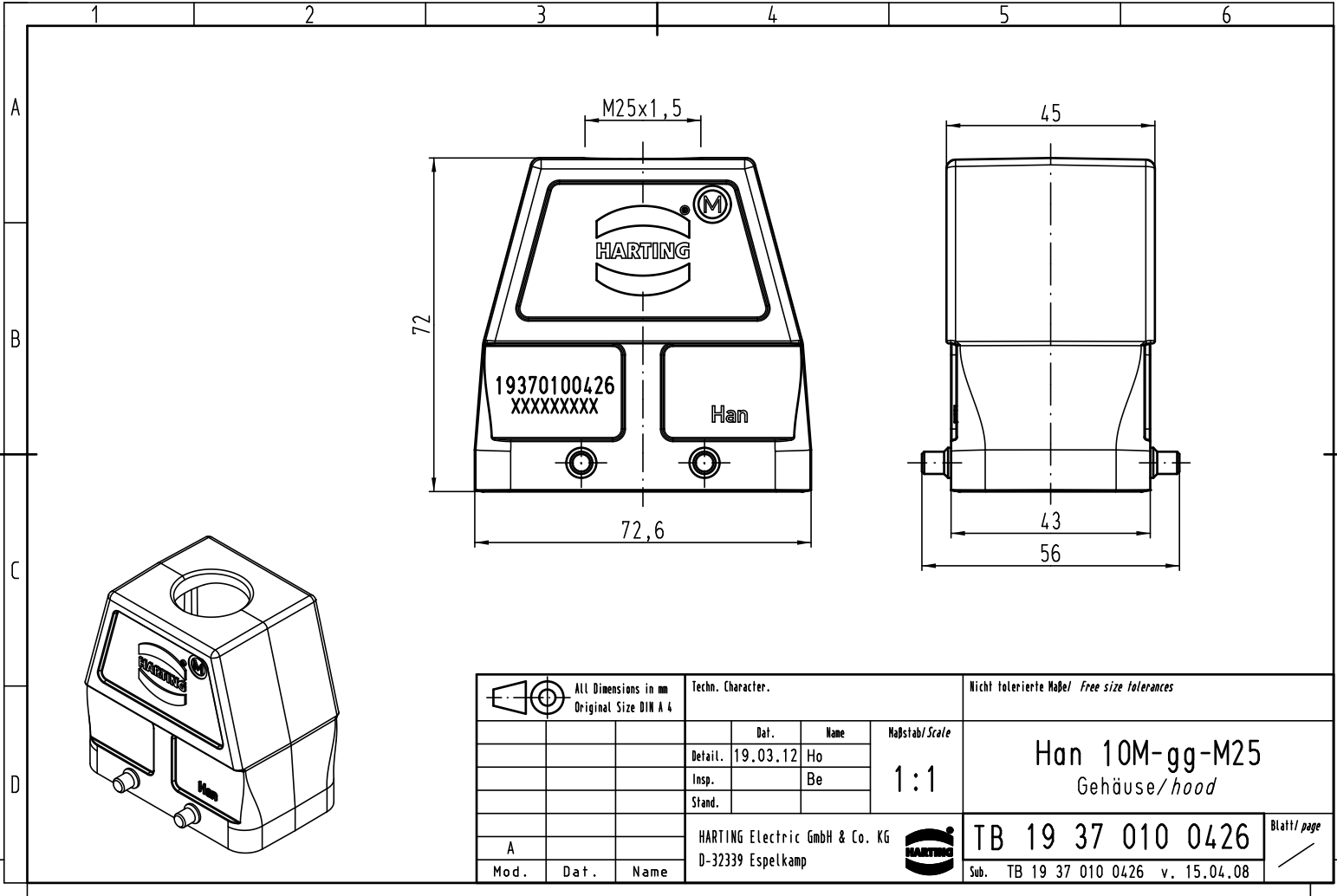
Excellent Integrated System Limited

Stocking Distributor

Click to view price, real time Inventory, Delivery & Lifecycle Information:

[Harting](#)
[19370100426](#)

For any questions, you can email us directly:
sales@integrated-circuit.com



All Dimensions in mm Original Size DIN A 4		Techn. Character.			Nicht tolerierte Maße! Free size tolerances		
			Dat.	Name	Maßstab/Scale 1:1	Han 10M-gg-M25 Gehäuse/hood	
			Detail.	19.03.12			Ho
			Insp.				Be
			Stand.				
A			HARTING Electric GmbH & Co. KG			TB 19 37 010 0426	Blatt/ page
Mod.	Dat.	Name	D-32339 Espelkamp				