

Excellent Integrated System Limited

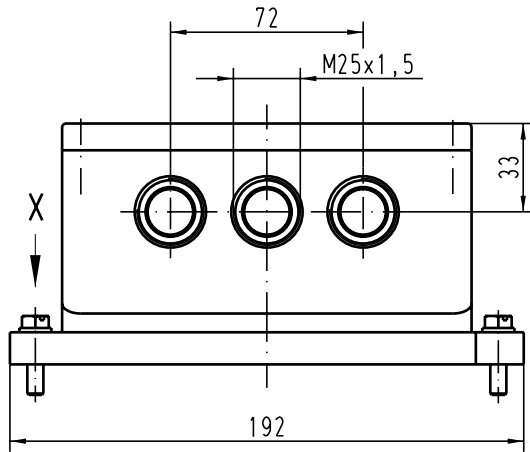
Stocking Distributor

Click to view price, real time Inventory, Delivery & Lifecycle Information:

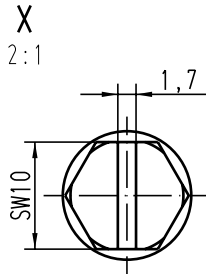
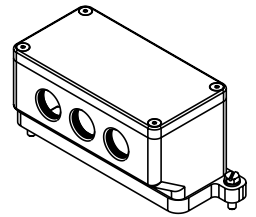
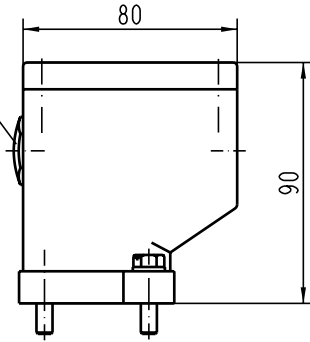
[Harting](#)
[19400240631](#)

For any questions, you can email us directly:
sales@integrated-circuit.com

Alle Rechte vorbehalten/ All rights reserved



3 Blindstopfen/
3 blind plugs



			Techn. Character.			Nicht tolerierte Masse/ free size tolerances			
				Dat.	Name	Maststab/Scale 1:2 2:1	Hon 24HPR-gw3-M20/M25		
				Detail.	21.07.03				Ste
				Insp.					KR
				Stand.					
410618			HARTING Electric GmbH & Co. KG			TB 19 40 024 0631			
Mod.	Dat.	Name	D-32339 Espelkamp			Sub.			
								Blaß/ page	