

Excellent Integrated System Limited

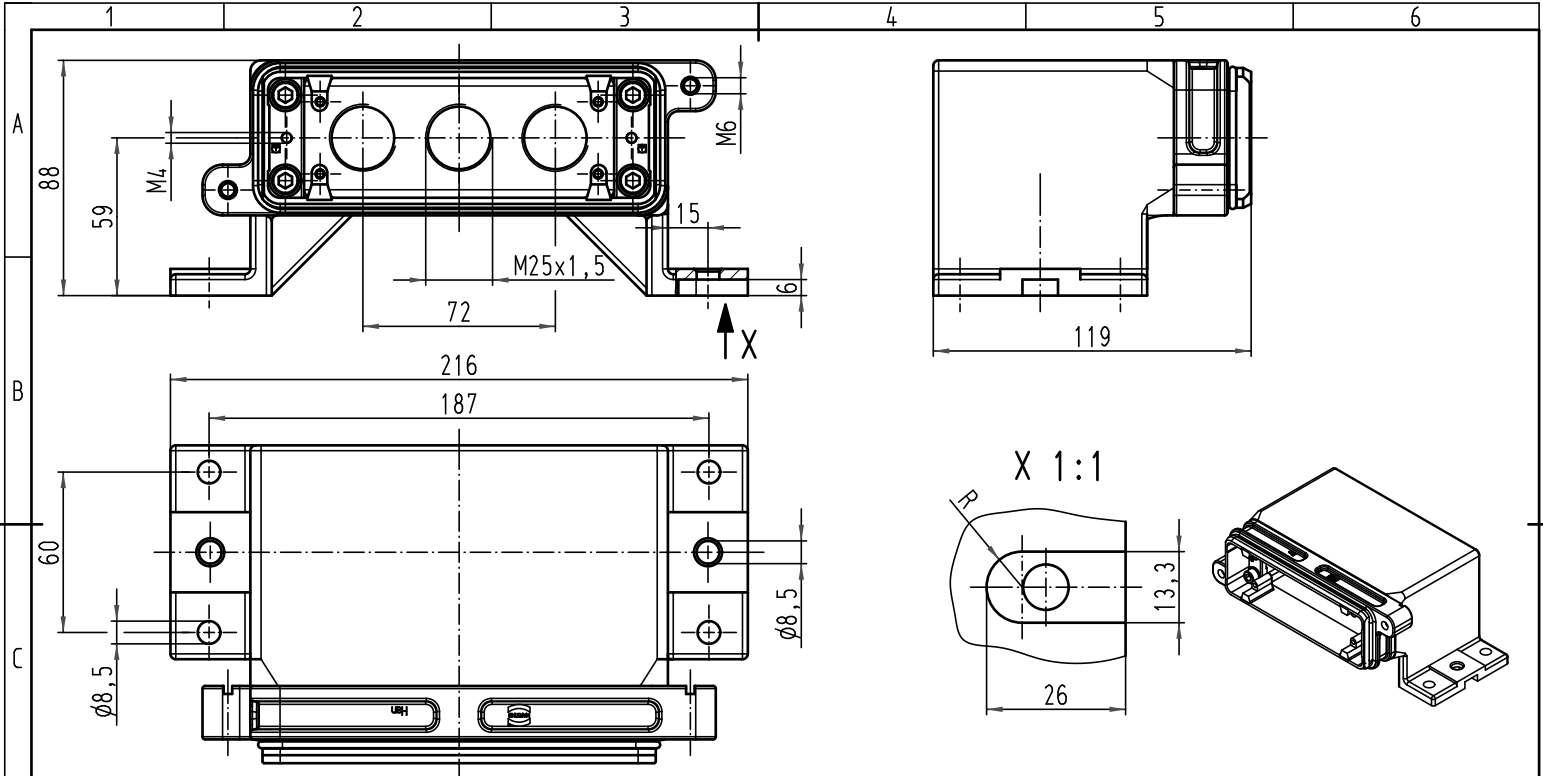
Stocking Distributor

Click to view price, real time Inventory, Delivery & Lifecycle Information:

[Harting](#)
[19400240931](#)

For any questions, you can email us directly:
sales@integrated-circuit.com

Alle Rechte vorbehalten/ All rights reserved



All Dimensions in mm Original Size DIN A 4			Techn. Character.			Nicht tolerierte Maß/Free size tolerances	
Mod.	Dat.	Name	Detail.	Dat.	Name	Maßstab/Scale 1:2	Han 24HPR-ASGW3-SV-M25 Anbausockelgehäuse winklig housings surface mounting angled
413904	23.06.08	Bor	Insp.	21.09.01	DY		
412879	26.04.07	Ho	Stand.		SDT		
410889	24.02.04	Loe.					
410054	07.05.02	Gö					
HARTING Electric GmbH & Co. KG D-32339 Espelkamp							