

## **Excellent Integrated System Limited**

Stocking Distributor

Click to view price, real time Inventory, Delivery & Lifecycle Information:

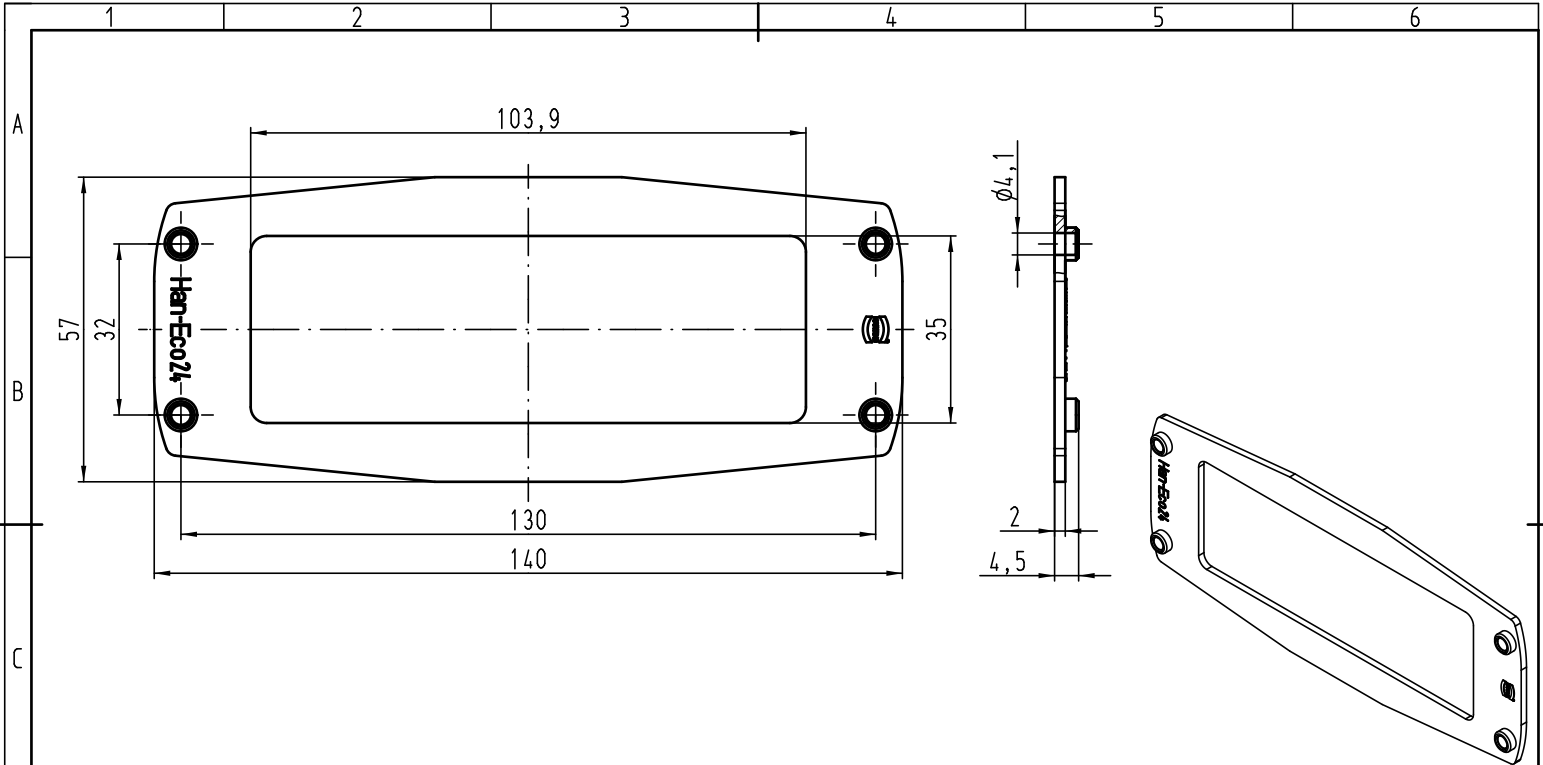
[Harting](#)



[19410009804](#)

For any questions, you can email us directly:

[sales@integrated-circuit.com](mailto:sales@integrated-circuit.com)

Alle Rechte vorbehalten/ All rights reserved



|  |          |      |   |         |          |   |     |  |
|--|----------|------|---|---------|----------|---|-----|--|
|  All Dimensions in mm<br>Original Size DIN A 4 |          |      | Techn. Character.   |         |          | Nicht tolerierte Maß/Free size tolerances |     |  |
|  |          |      |   | Dat.    | Name     | Maßstab/Scale                             |     |  |
|  |          |      |   | Detail. | 17.01.11 | Rull                                      | 1:1 |  |
|  |          |      |   | Insp.   |          | Herb                                      |     |  |
|  |          |      |   | Stand.  |          |   |     |  |
| B  | 25.05.12 | Rull | HARTING Electric GmbH & Co. KG  |         |          | TB 19 41 000 9804                         |     |  |
| A  |          |      | D-32339 Espelkamp   |         |          | Sub.                                      |     |  |
| Mod.   | Dat.     | Name |  |         |          | Blatt/ page                               |     |  |