

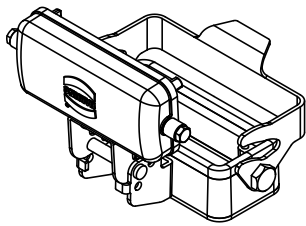
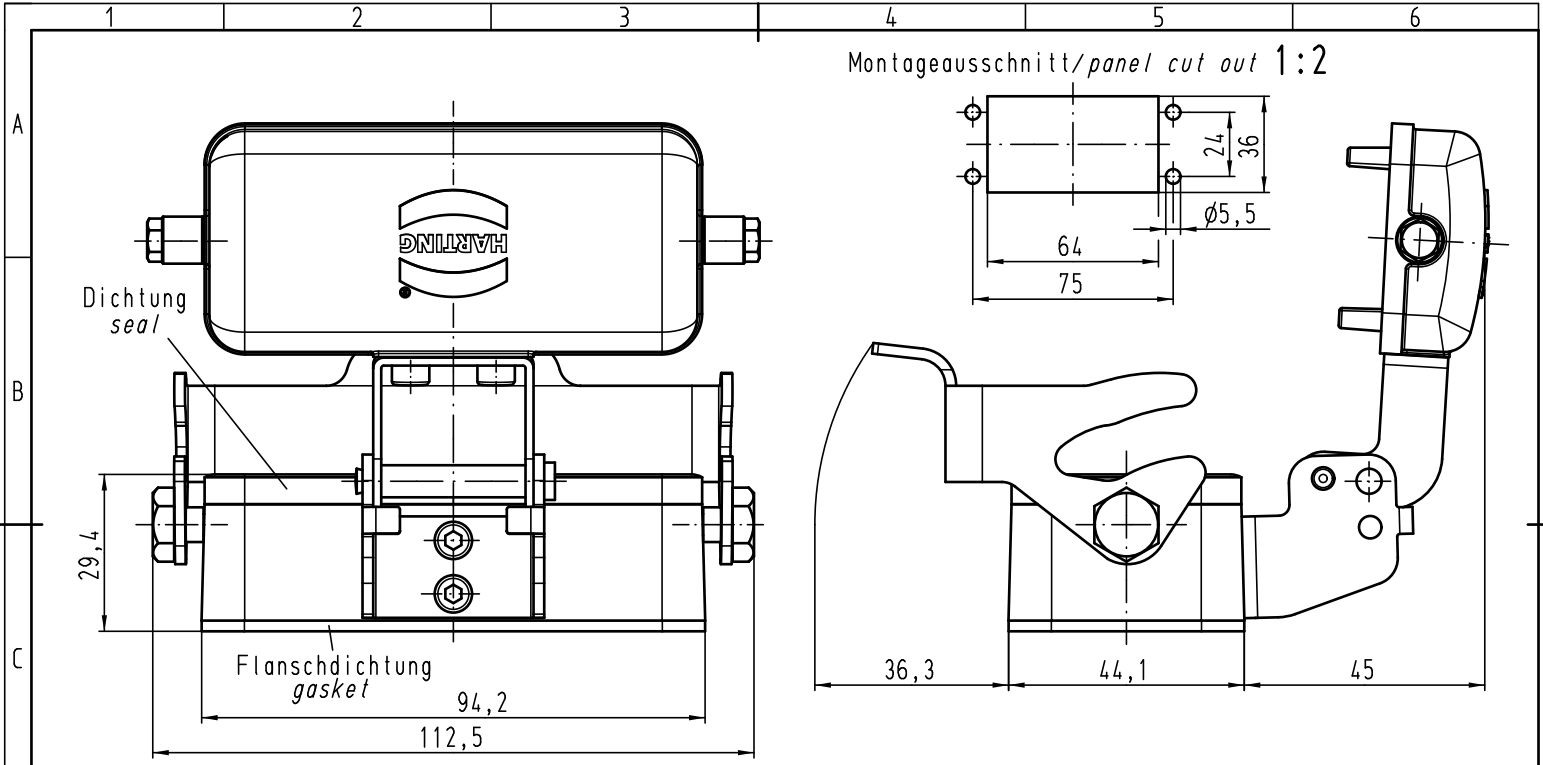
Excellent Integrated System Limited

Stocking Distributor

Click to view price, real time Inventory, Delivery & Lifecycle Information:

[Harting](#)
[19443100303](#)

For any questions, you can email us directly:
sales@integrated-circuit.com



			Techn. Character.			Nicht tolerierte Maße/ Free size tolerances			
			Dat. 15.09.11	Name Ho	Maßstab/Scale 1:1	Han-INOX-agg-LB-K Anbaugehäuse Edelstahl housing bulkhead mounting stainless steel			
			Insp.	drie					
			Stand.						
A			HARTING Electric GmbH & Co. KG D-32339 Espelkamp				TB 19 44 310 0303		Blatt/ page
Mod.	Dat.	Name					Sub.		