

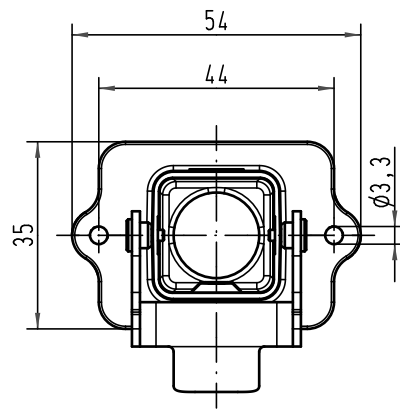
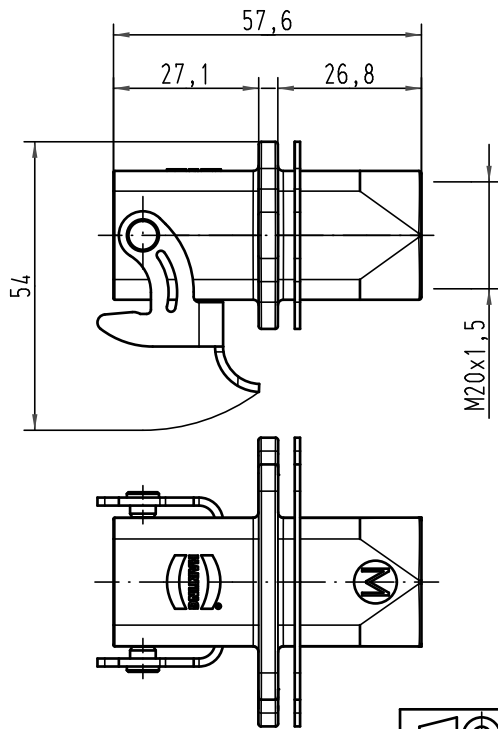
## Excellent Integrated System Limited

Stocking Distributor

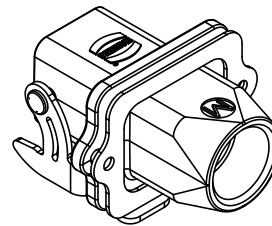
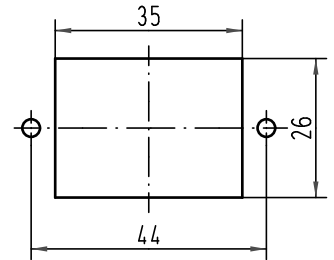
Click to view price, real time Inventory, Delivery & Lifecycle Information:

[Harting](#)  
[19620031120](#)

For any questions, you can email us directly:  
[sales@integrated-circuit.com](mailto:sales@integrated-circuit.com)



Montageausschnitt/  
panel cut out



All Dimensions in mm Original Size DIN A 4			Techn. Character.			Nicht tolerierte Masse/ Free size tolerances	
			Detail.	Date	Name	Maßstab/Scale <b>1:1</b>	<b>Han 3EMV-eg-QB-M20</b> Durchführungsgehäuse/ feed through hood
			Insp.	20.09.10	ML		
			Stand.		Grie		
B	19.11.10	Spr	HARTING Electric GmbH & Co. KG				<b>TB 19 62 003 1120</b>
A			D-32339 Espelkamp				
Mod.	Dat.	Name					Blatt/ page
							Sub.