

Excellent Integrated System Limited

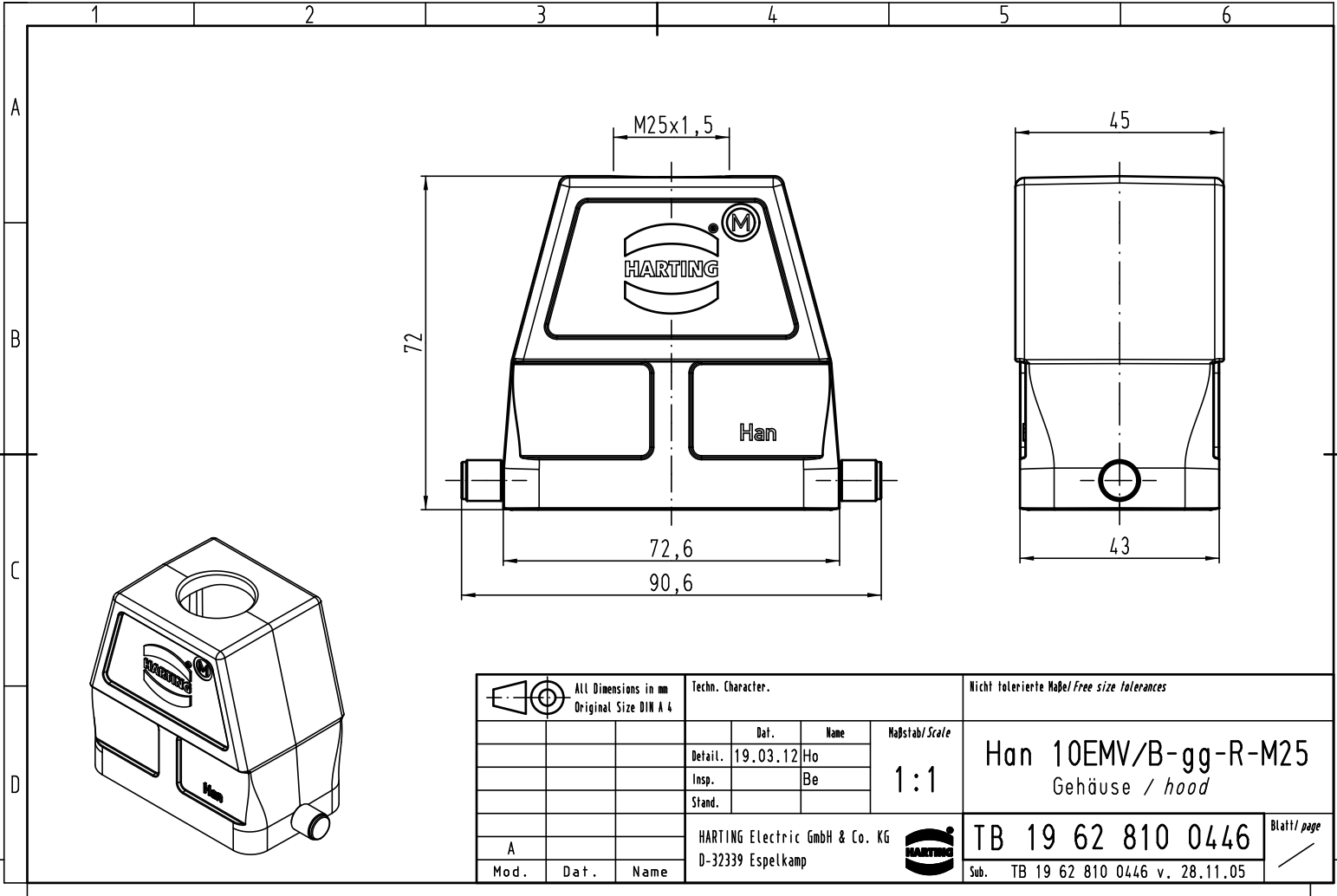
Stocking Distributor

Click to view price, real time Inventory, Delivery & Lifecycle Information:

[Harting](#)
[19628100446](#)

For any questions, you can email us directly:
sales@integrated-circuit.com

Alle Rechte vorbehalten/ All rights reserved



All Dimensions in mm Original Size DIN A 4			Techn. Character.			Nicht tolerierte Maß/Free size tolerances												
			<table border="1"> <tr> <td>Detail.</td> <td>19.03.12</td> <td>Ho</td> </tr> <tr> <td>Insp.</td> <td></td> <td>Be</td> </tr> <tr> <td>Stand.</td> <td></td> <td></td> </tr> </table>	Detail.	19.03.12	Ho	Insp.		Be	Stand.			<table border="1"> <tr> <td>Maßstab/Scale</td> <td rowspan="3">1:1</td> </tr> </table>	Maßstab/Scale	1:1	Han 10EMV/B-gg-R-M25 Gehäuse / hood		
Detail.	19.03.12	Ho																
Insp.		Be																
Stand.																		
Maßstab/Scale	1:1																	
A		HARTING Electric GmbH & Co. KG D-32339 Espelkamp		TB 19 62 810 0446		Blatt/ page /												
Mod.		Dat.	Name	Sub. TB 19 62 810 0446 v. 28.11.05														