

## Excellent Integrated System Limited

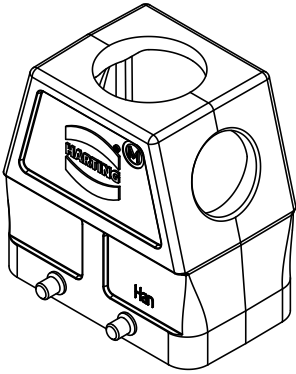
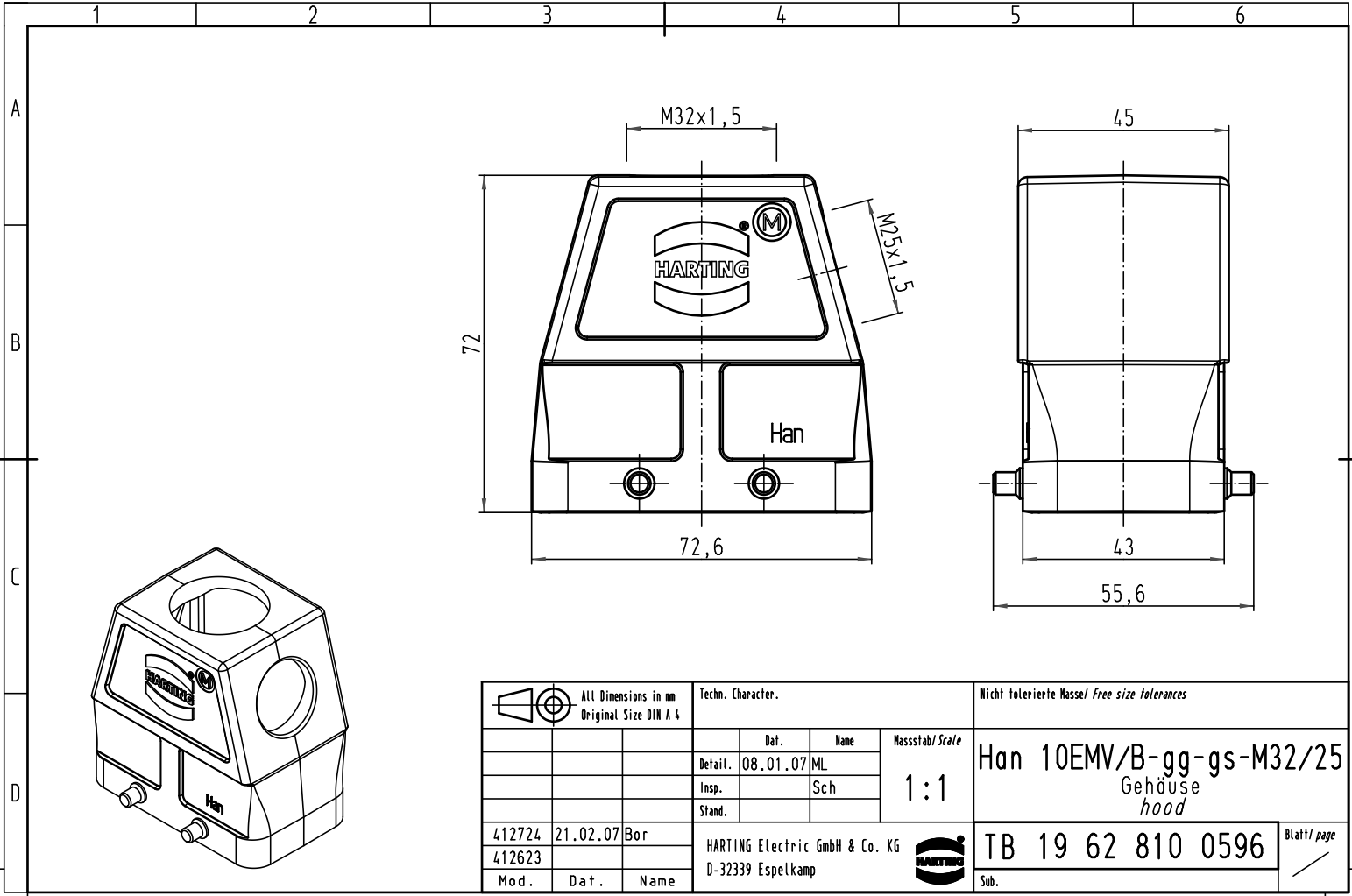
Stocking Distributor

Click to view price, real time Inventory, Delivery & Lifecycle Information:

[Harting](#)  
[19628100596](#)

For any questions, you can email us directly:  
[sales@integrated-circuit.com](mailto:sales@integrated-circuit.com)

Alle Rechte vorbehalten/ All rights reserved



All Dimensions in mm Original Size DIN A 4		Techn. Character.			Nicht tolerierte Masse/ Free size tolerances															
			<table border="1"> <tr> <th>Detail.</th> <th>Dat.</th> <th>Name</th> <th>Massstab/Scale</th> </tr> <tr> <td></td> <td>08.01.07</td> <td>ML</td> <td rowspan="3">1:1</td> </tr> <tr> <td>Insp.</td> <td></td> <td>Sch</td> </tr> <tr> <td>Stand.</td> <td></td> <td></td> </tr> </table>	Detail.	Dat.	Name	Massstab/Scale		08.01.07	ML	1:1	Insp.		Sch	Stand.			Han 10EMV/B-gg-gs-M32/25		
Detail.	Dat.	Name	Massstab/Scale																	
	08.01.07	ML	1:1																	
Insp.		Sch																		
Stand.																				
<table border="1"> <tr> <td>412724</td> <td>21.02.07</td> <td>Bor</td> </tr> <tr> <td>412623</td> <td></td> <td></td> </tr> <tr> <td>Mod.</td> <td>Dat.</td> <td>Name</td> </tr> </table>		412724	21.02.07	Bor	412623			Mod.	Dat.	Name	HARTING Electric GmbH & Co. KG D-32339 Espelkamp		<table border="1"> <tr> <td>TB 19 62 810 0596</td> <td>Blatt/ page</td> </tr> <tr> <td>Sub.</td> <td></td> </tr> </table>		TB 19 62 810 0596	Blatt/ page	Sub.			
412724	21.02.07	Bor																		
412623																				
Mod.	Dat.	Name																		
TB 19 62 810 0596	Blatt/ page																			
Sub.																				

