

## Excellent Integrated System Limited

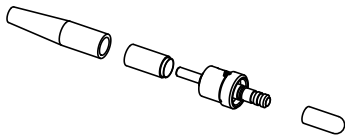
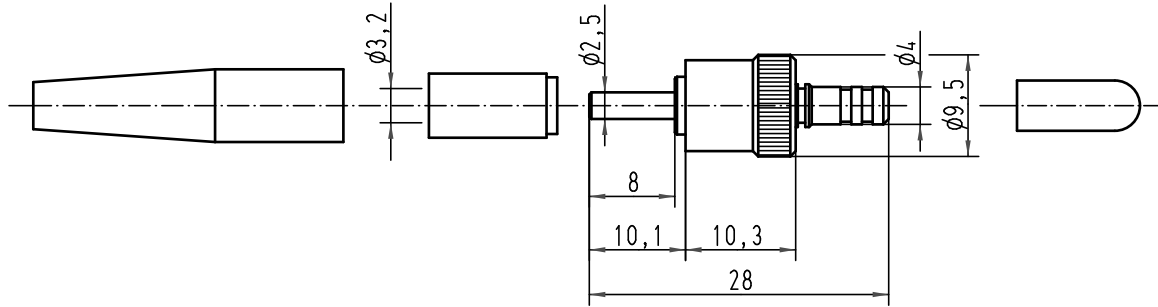
Stocking Distributor

Click to view price, real time Inventory, Delivery & Lifecycle Information:

[Harting](#)  
[20101252212](#)

For any questions, you can email us directly:  
[sales@integrated-circuit.com](mailto:sales@integrated-circuit.com)

Alle Rechte vorbehalten/ All rights reserved



			Techn. Character.			Nicht tolerierte Masse/ Free size tolerances			
						Maßstab/Scale <b>2:1</b>	<b>LWL-Steckverbinder F-ST</b>		
			Detail.	02.02.04	DY				
			Insp.		WIT				
			Stand.						
413758	20.03.08	Pr	HARTING Electric GmbH & Co. KG				<b>TB 20 10 125 2212</b>		Blatt/ page
410903			D-32339 Espelkamp						
Mod.	Dat.	Name							