

Excellent Integrated System Limited

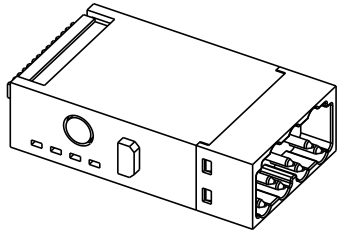
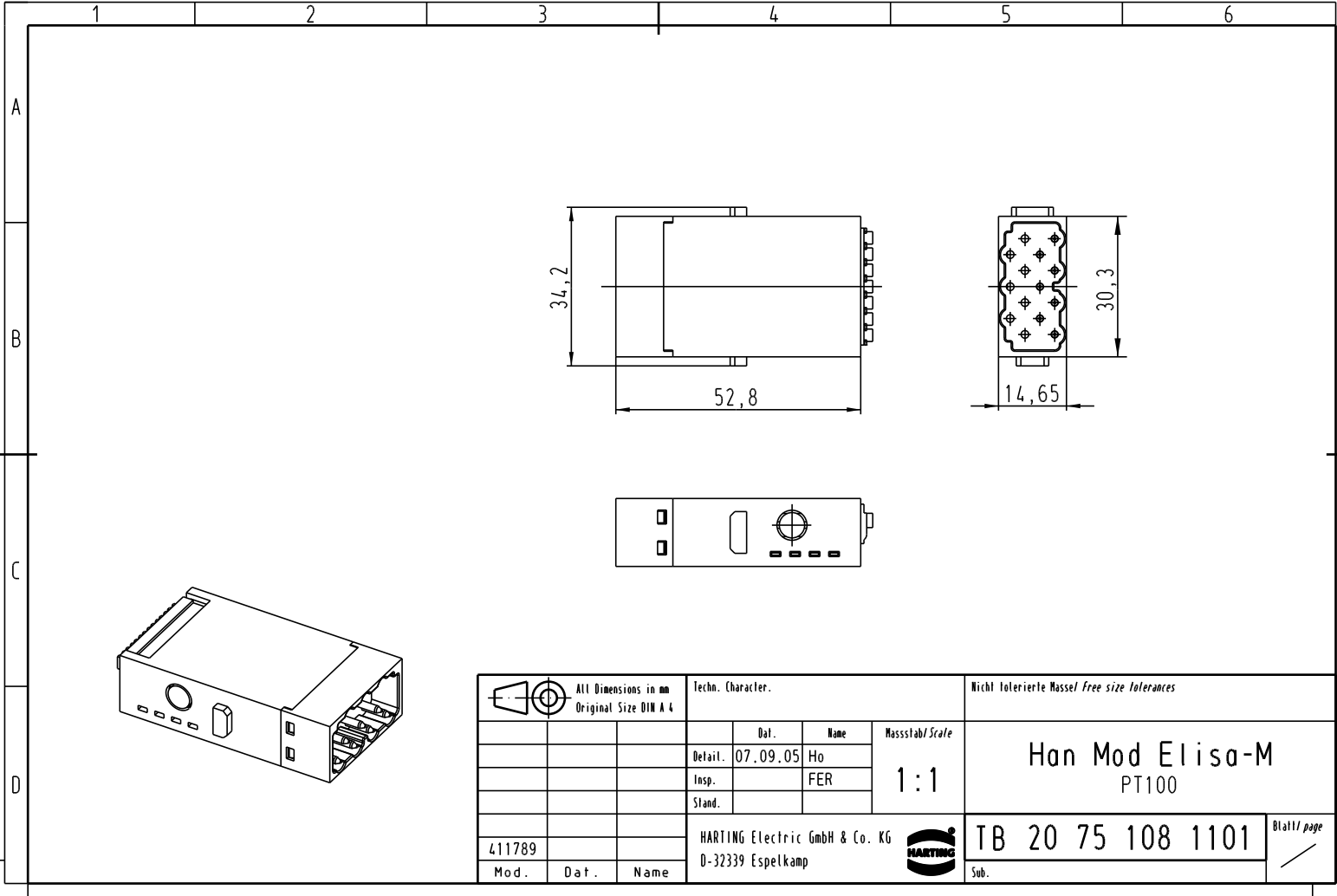
Stocking Distributor



Click to view price, real time Inventory, Delivery & Lifecycle Information:

[Harting](#)
[20751081101](#)

For any questions, you can email us directly:
sales@integrated-circuit.com

Alle Rechte vorbehalten/ All rights reserved



| | | | | | | | | | |
|--|------|------|--------------------------------|---------|----------|---|-----|--|-------------|
|  All Dimensions in mm Original Size DIN A 4 | | | Techn. Character. | | | Nicht lotierte Masse free size tolerances | | | |
| | | | | Dat. | Name | Maststab/Scale | | | |
| | | | | Detail. | 07.09.05 | Ho | 1:1 | | |
| | | | | Insp. | | FER | | | |
| | | | | Stand. | | | | | |
| 411789 | | | HARTING Electric GmbH & Co. KG | | |  TB 20 75 108 1101 | | | Blatt/ page |
| Mod. | Dat. | Name | D-32339 Espelkamp | | | | | | |