

## Excellent Integrated System Limited

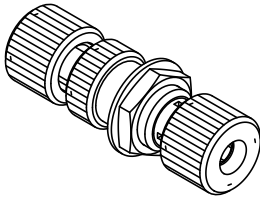
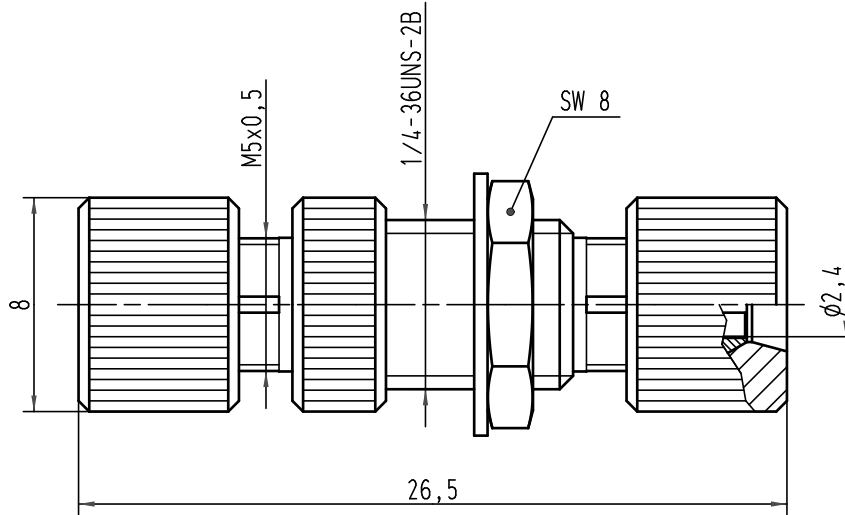
Stocking Distributor

Click to view price, real time Inventory, Delivery & Lifecycle Information:

[Harting](#)  
[20800001066](#)

For any questions, you can email us directly:  
[sales@integrated-circuit.com](mailto:sales@integrated-circuit.com)

Alle Rechte vorbehalten/ All rights reserved



All Dimensions in mm Original Size DIN A 4			Techn. Character.			Nicht tolerierte Masse/ Free size tolerances			
			Dat.	Name	Maßstab/ Scale  <b>5:1</b>	<b>Schnellspann-Kupplung</b> POF Kabel $\phi$ 2,2mm			
			Detail. 27.06.03	Ste					
			Insp.	WIT					
			Stand.						
413679	20.02.08	PR	HARTING Electric GmbH & Co. KG				<b>TB 20 80 000 1066</b>		Blatt/ page
410578			D-32339 Espelkamp						
Mod.	Dat.	Name							