

Excellent Integrated System Limited

Stocking Distributor

Click to view price, real time Inventory, Delivery & Lifecycle Information:

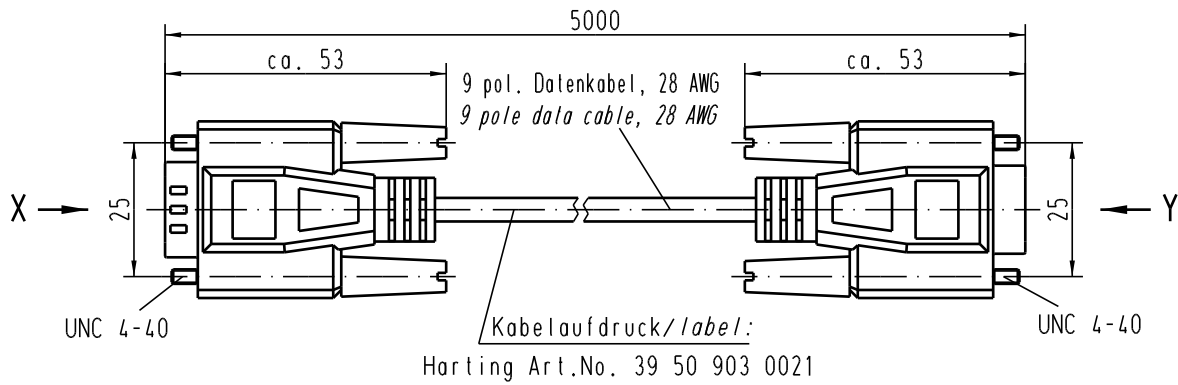
[Harting](#)

[39509030021](#)

For any questions, you can email us directly:

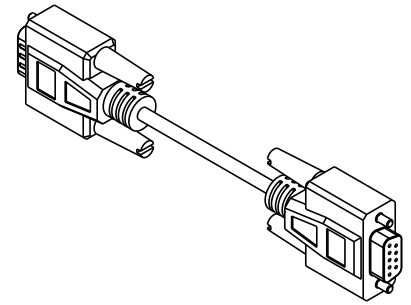
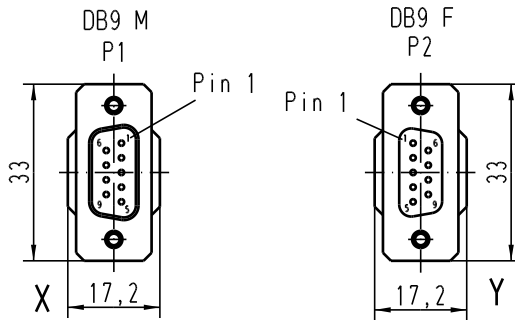
sales@integrated-circuit.com

Alle Rechte vorbehalten/ All rights reserved



Stromlaufplan/
circuit diagram

P1	P2
1	1
2	2
3	3
4	4
5	5
6	6
7	7
8	8
9	9
SHIELD	SHIELD



All Dimensions in mm Original Size DIN A 4			Techn. Character.			Nicht tolerierte Masse free size tolerances	
				Dat.	Name	Massstab/Scale 1:1	Leitung SUB-D9 f-m, 5m, grau cable SUB-D9, f-m, 5m, grey
			Detail.	17.02.05	Loe.		
			Insp.		Be		
			Stand.				
411516	15.03.05	Loe.	HARTING Electric GmbH & Co. KG			TB 39 50 903 0021	Blatt/ page
411474			D-32339 Espelkamp				
Mod.	Dat.	Name				Sub.	

