

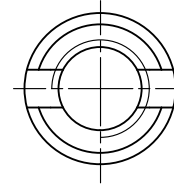
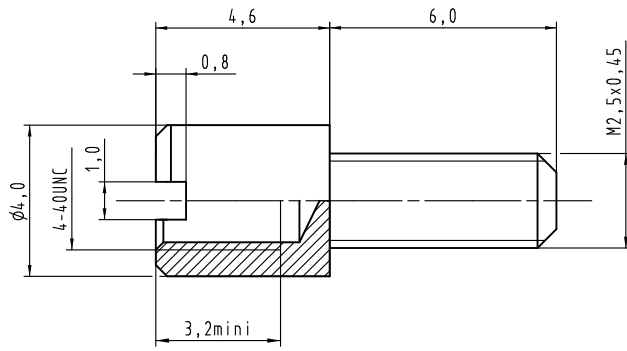
Excellent Integrated System Limited

Stocking Distributor


Click to view price, real time Inventory, Delivery & Lifecycle Information:

[Harting](#)
[60010009030](#)

For any questions, you can email us directly:
sales@integrated-circuit.com



Material: Steel
Plating: Nickel
Maximum tightening torque: 0,5N.m
Assembly: Without panel

| All Dimensions in mm Original Size DIN A 3 | | | Techn. Character. | | Free size tolerances | |
|---|-----------|-------|------------------------|-----------|---|---|
| | | | Def. | Name | Scale | har-mik® Female screwlock Thread: M2,5/4-40 UNC |
| | | | 29-Sep-11 | K.Luo | 10:1 | |
| | | | Insp. | 27-Oct-11 | | |
| | | | Stand. | 27-Oct-11 | | Steven |
| EC03684 | 27-Oct-11 | K.Luo | Zhuhai HARTING Limited | |  | TB 60 01 000 9030 |
| Mod. | Dat. | Name | | | | |