



Excellent Integrated System Limited

Stocking Distributor

Click to view price, real time Inventory, Delivery & Lifecycle Information:

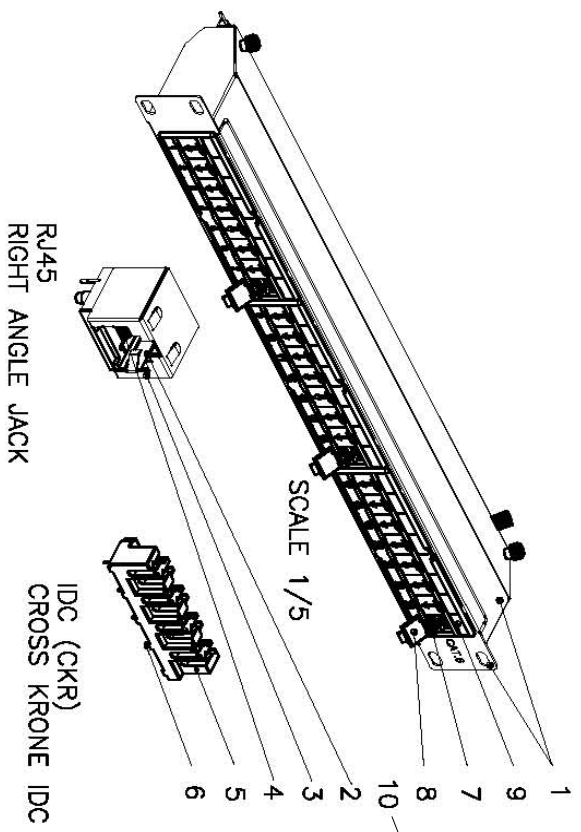
[ASSMANN WSW Components](#)

[DN-91624S-KL](#)

For any questions, you can email us directly:

sales@integrated-circuit.com

A	1	2	3	4	5	6	7
B	1	2	3	4	5	6	7
C	1	2	3	4	5	6	7
D	1	2	3	4	5	6	7
E	1	2	3	4	5	6	7
F	1	2	3	4	5	6	7
G	1	2	3	4	5	6	7
H	1	2	3	4	5	6	7



Specification:

Material:
 1. Top & Bottom Case: SECC, 1.2mm thickness with Gray(RAL 7035) color painted.

2. RJ45 Jack Housing: PBT, UL 94V-0,
 3. RJ45 Jack Shield: Bronze with Nickel plated.

4. RJ45 Jack Contact material & finished:
 4-1. Phosphor Bronze with 50-60 micro-inch Nickel plated.
 4-2. Contact area: Min. 3mm 50 micro-inch Gold plated.

5. IDC Housing: PC+5%GF, UL 94V-2
 6. IDC Terminal material & finished:

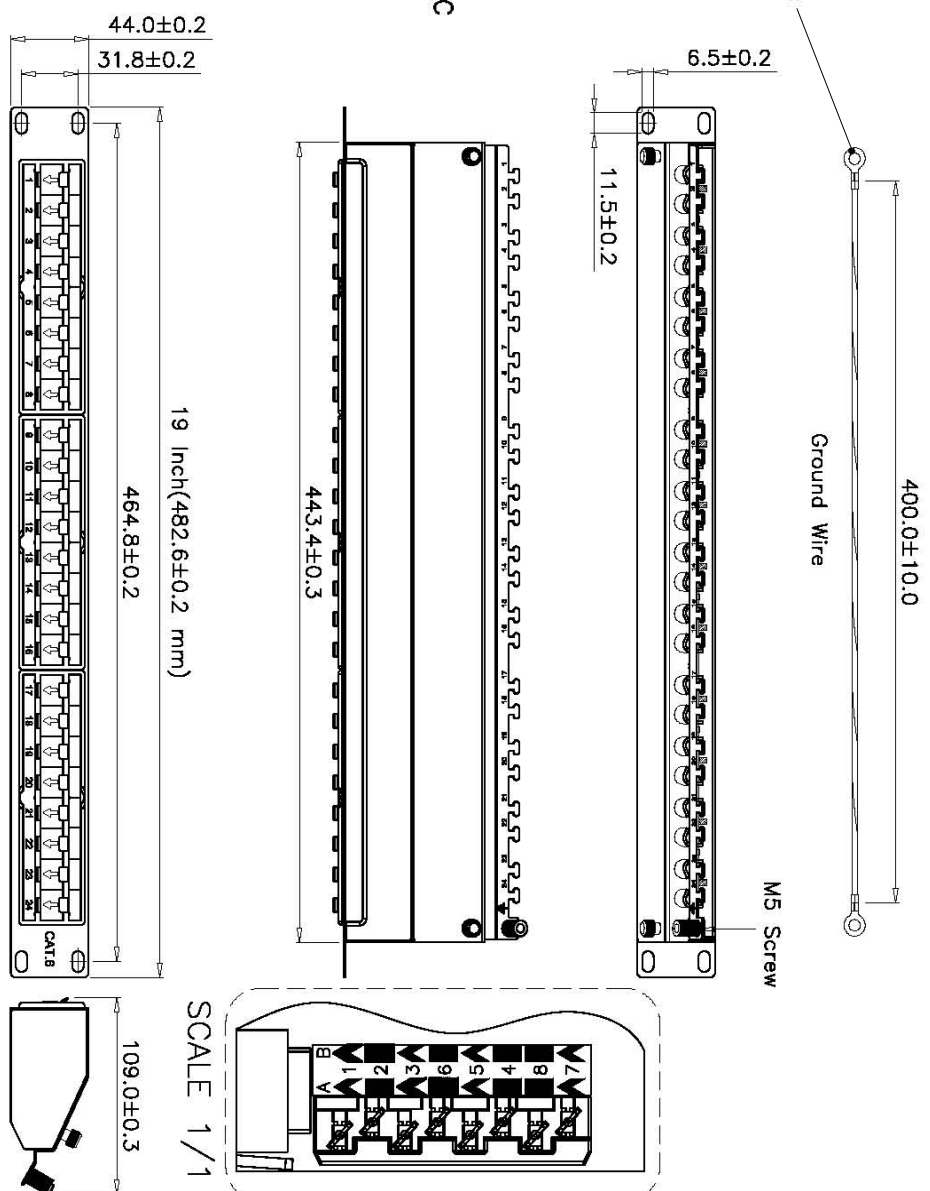
6-1. Phosphor Bronze with 50-60 micro-inch Tin plated.
 6-2. Krone tool available only.
 6-3. Suitable for 22-26 AWG stranded & solid wire.

7. Jack Bracket Set: ABS+PC, UL 94V-0, Gray(RAL 7035) Color.
 8. Dust Cover: Polycarbonate, UL 94V-2, Transparent Color

9. Name Plate: Polycarbonate, UL 94V-2, Transparent Color.
 10. Ground Wire: 18 AWG wire, with Green/Yellow striped color, length 40 cm.

Performance:

- a. The sticker color codes combine two wirings of T568A & T568B.
- b. Operation Temperature : -20 C to 70 C.
- c. Insertion Force: 900 gms for 8 contacts.
- d. Retention Strength: 7.7 kg between Jack and Plug.
- e. Durability:
 - e-1. Jack: 750 cycles Plug-Jack mating and unmating test, insertion cycles at 20 cycles/minute max. Contact resistance test per 100 cycles.
 - e-2. IDC : Max:200 punching Times.
- f. The Cat6 performance is in compliance with the ANSI/TIA/EIA 568 B-2-1 standard.



Signature	Revision History	Date	Rev
G.Chen	Release DIGITUS format drawing	May,19,2010	01

Drawn By	May,19,2010	G.Chen
Checked By	May,19,2010	Kevin.N
Approved By		

Part No.	DN-91624S-KL
Title:	

DIGITUS CAT 6 Patch Panel Shielded 24-Port RJ45, 8P8C, USA, 1U
 De Embedded Certified Rack Mount, Color Grey RAL 7035



Scale	N/A	Sheet	1/1
Unit	MM		

STR8.1028