

## Excellent Integrated System Limited

Stocking Distributor

Click to view price, real time Inventory, Delivery & Lifecycle Information:

[FTDI, Future Technology Devices International Ltd  
FT800Q-R](#)

For any questions, you can email us directly:

[sales@integrated-circuit.com](mailto:sales@integrated-circuit.com)



**Document No.: FT\_000792**  
**FT800 Embedded Video Engine**  
**Datasheet Version 1.1**  
**Clearance No.: FTDI# 334**

# Future Technology Devices International Ltd.

## FT800

### (Embedded Video Engine)



The FT800 is an easy to use graphic controller targeted for embedded applications to generate high-quality Human Machine Interfaces (HMIs). It has the following features:

- FT800 functionality includes graphic controller, audio processing, and resistive touch controller.
- Embedded Video Engine (EVE) with widget support can offload the system MPU and provide a variety of graphic features
- Built-in graphics operations allow users with little expertise to create high-quality display
- Integrated with 4-wire touch-screen controller incorporating median filtering and touch force sensing. Hardware engine can recognize touch tags and track touch movement. It provides notification for up to 255 touch tags.
- Standard serial interface to host MPU/MCU with SPI up to 30MHz or I<sup>2</sup>C clocking up to 3.4MHz
- Programmable interrupt controller provides interrupts to host MPU/MCU
- Built-in 12MHz crystal oscillator with PLL providing 48MHz or 36MHz system clock
- Video RGB parallel output (default RGB data width of 6-6-6) with 2 bit dithering; configurable to support resolution up to 512x512 and LCD R/G/B data width of 1 to 6
- Programmable timing to adjust HSYNC and VSYNC timing, enabling interface to numerous displays
- Support for LCD display in WQVGA (480x272) and QVGA (320x240) formats with data enable (DE) support mode and VSYNC/HSYNC mode
- The FT800 calculates for 8-bit colour despite only providing pins for 6-bit (RGB-6,6,6); this improves the half tone appearance
- Display enable control output to LCD panel
- Mono audio channel output with PWM output
- Built-in sound synthesizer
- Audio wave playback for mono 8-bit linear PCM, 4-bit ADPCM and  $\mu$ -Law coding format at sampling frequency from 8kHz to 48kHz. Built-in digital filter reduces the system design complexity of external filtering
- PWM output for backlight dimming control for LED
- Low power consumption for portable application, 24mA active (typical) and 250  $\mu$ A sleep (typical)
- No frame buffer RAM required
- Advanced object oriented architecture enables low cost MPU/MCU as system host using I<sup>2</sup>C and SPI interfaces
- Power mode control allows chip to be put in power down, sleep and standby states
- Supports host interface I/O voltage from 1.8V to 3.3V
- Internal voltage regulator supplies 1.2V to the digital core
- -40°C to 85°C extended operating temperature range
- Available in a compact Pb-free, VQFN-48, 7mm X 7mm X 0.9mm package, RoHS compliant



**Document No.:** FT\_000792  
**FT800 Embedded Video Engine**  
**Datasheet Version 1.1**  
**Clearance No.:** FTDI# 334

---

**Disclaimer:**

Neither the whole nor any part of the information contained in, or the product described in this manual, may be adapted or reproduced in any material or electronic form without the prior written consent of the copyright holder. This product and its documentation are supplied on an as-is basis and no warranty as to their suitability for any particular purpose is either made or implied. Future Technology Devices International Ltd will not accept any claim for damages howsoever arising as a result of use or failure of this product. Your statutory rights are not affected. This product or any variant of it is not intended for use in any medical appliance, device or system in which the failure of the product might reasonably be expected to result in personal injury. This document provides preliminary information that may be subject to change without notice. No freedom to use patents or other intellectual property rights is implied by the publication of this document.

Future Technology Devices International Ltd  
Unit 1, 2 Seaward Place  
Centurion Business Park  
Glasgow G41 1HH  
United Kingdom

Scotland Registered Company Number: SC136640



**Document No.: FT\_000792**  
**FT800 Embedded Video Engine**  
**Datasheet Version 1.1**  
**Clearance No.: FTDI# 334**

## 1 Typical Applications

- Point of Sales Machines
- Multi-function Printers
- Instrumentation
- Home Security Systems
- Graphic touch pad – remote, dial pad
- Tele / Video Conference Systems
- Phones and Switchboards
- Medical Appliances
- Blood Pressure displays
- Heart monitors
- Glucose level displays
- Breathalyzers
- Gas chromatographs
- Power meter
- Home appliance devices
- Set-top box
- Thermostats
- Sprinkler system displays
- Medical Appliances
- GPS / SatNav
- Vending Machine Control Panels
- Elevator Controls
- .....and many more

### 1.1 Part Numbers

Part Number	Package
FT800Q-x	48 Pin VQFN, pitch 0.5mm, body 7mm x 7mm x 0.9mm

**Table 1- Video Controller Part Numbers**

Note: Packaging codes for x is:

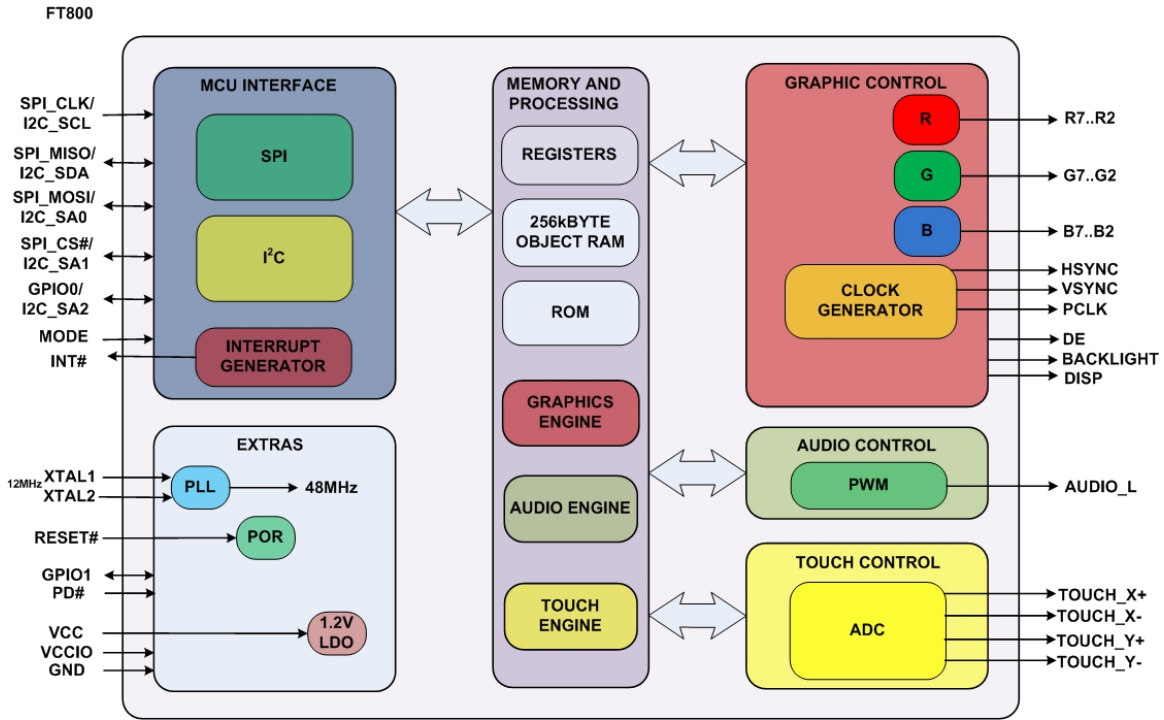
-R: Taped and Reel, (VQFN in 2500 pieces per reel)

-T: Tray packing, (VQFN in 250 pieces per tray)

For example: FT800Q-R is 2500 VQFN pieces in taped and reel packaging

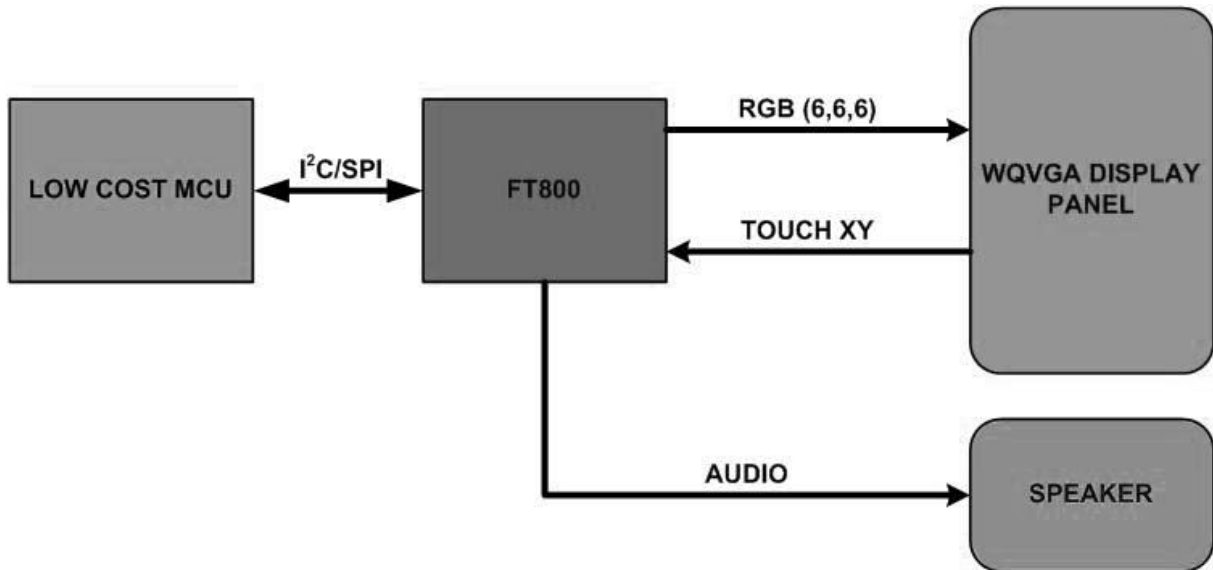


## 2 FT800 Block Diagram



**Figure 2-1 FT800 Block Diagram**

For a description of each function please refer to Section 4.



**Figure 2-2 FT800 System Design Diagram**



**Document No.: FT\_000792**  
**FT800 Embedded Video Engine**  
**Datasheet Version 1.1**  
**Clearance No.: FTDI# 334**

---

FT800 or EVE (Embedded Video Engine) simplifies the system architecture for advanced human machine interfaces (HMIs) by providing functionality for display, audio, and touch as well as an object oriented architecture approach that extends from display creation to the rendering of the graphics.



Document No.: FT\_000792  
**FT800 Embedded Video Engine**  
 Datasheet Version 1.1  
 Clearance No.: FTDI# 334

## Contents

<b>1</b>	<b>Typical Applications .....</b>	<b>3</b>
<b>1.1</b>	<b>Part Numbers.....</b>	<b>3</b>
<b>2</b>	<b>FT800 Block Diagram .....</b>	<b>4</b>
<b>3</b>	<b>Device Pin Out and Signal Description .....</b>	<b>8</b>
<b>3.1</b>	<b>VQFN-48 Package Pin Out.....</b>	<b>8</b>
<b>3.2</b>	<b>Pin Description .....</b>	<b>9</b>
<b>4</b>	<b>Function Description .....</b>	<b>14</b>
<b>4.1</b>	<b>Serial Host Interface.....</b>	<b>14</b>
4.1.1	SPI Interface .....	16
4.1.2	I <sup>2</sup> C Interface .....	16
4.1.3	Serial Data Protocol.....	16
4.1.4	Host Memory Read .....	16
4.1.5	Host Memory Write .....	17
4.1.6	Host Command .....	17
4.1.7	Interrupts .....	18
<b>4.2</b>	<b>System Clock .....</b>	<b>19</b>
4.2.1	Crystal Oscillator.....	19
4.2.2	Phase Locked Loop.....	20
4.2.3	Clock Enable.....	20
4.2.4	Clock Frequency .....	20
<b>4.3</b>	<b>Graphics Engine .....</b>	<b>20</b>
4.3.1	Introduction .....	20
4.3.2	ROM and RAM Fonts .....	21
<b>4.4</b>	<b>Parallel RGB Interface .....</b>	<b>24</b>
<b>4.5</b>	<b>Miscellaneous Control .....</b>	<b>26</b>
4.5.1	Backlight Control Pin .....	26
4.5.2	DISP Control Pin .....	26
4.5.3	General Purpose IO pins .....	26
4.5.4	Pins Drive Current Control.....	26
<b>4.6</b>	<b>Audio Engine.....</b>	<b>27</b>
4.6.1	Sound Synthesizer .....	27
4.6.2	Audio Playback .....	29
<b>4.7</b>	<b>Touch-Screen Engine .....</b>	<b>29</b>
<b>4.8</b>	<b>Power Management .....</b>	<b>30</b>
4.8.1	Power supply.....	30
4.8.2	Internal Regulator and POR.....	31



Document No.: FT\_000792  
FT800 Embedded Video Engine  
Datasheet Version 1.1  
Clearance No.: FTDI# 334

---

4.8.3	Power Modes .....	32
<b>5</b>	<b>FT800 Memory Map.....</b>	<b>36</b>
5.1	FT800 Registers .....	37
<b>6</b>	<b>Devices Characteristics and Ratings .....</b>	<b>41</b>
6.1	Absolute Maximum Ratings.....	41
6.2	DC Characteristics.....	42
6.3	Touch Sense Characteristics .....	44
6.4	AC Characteristics.....	45
6.4.1	System clock.....	45
6.4.2	Host Interface SPI Mode 0.....	45
6.4.3	Host Interface I2C Mode Timing .....	46
6.4.4	RGB Video Timing .....	47
<b>7</b>	<b>Application Examples.....</b>	<b>49</b>
7.1	Examples of LCD Interface connection.....	49
<b>8</b>	<b>Package Parameters .....</b>	<b>50</b>
8.1	VQFN-48 Package Dimensions .....	50
8.2	Solder Reflow Profile .....	51
<b>9</b>	<b>FTDI Chip Contact Information .....</b>	<b>52</b>
	Appendix A – References .....	53
	Appendix B - List of Figures and Tables .....	53
	Appendix C - Revision History.....	55

---

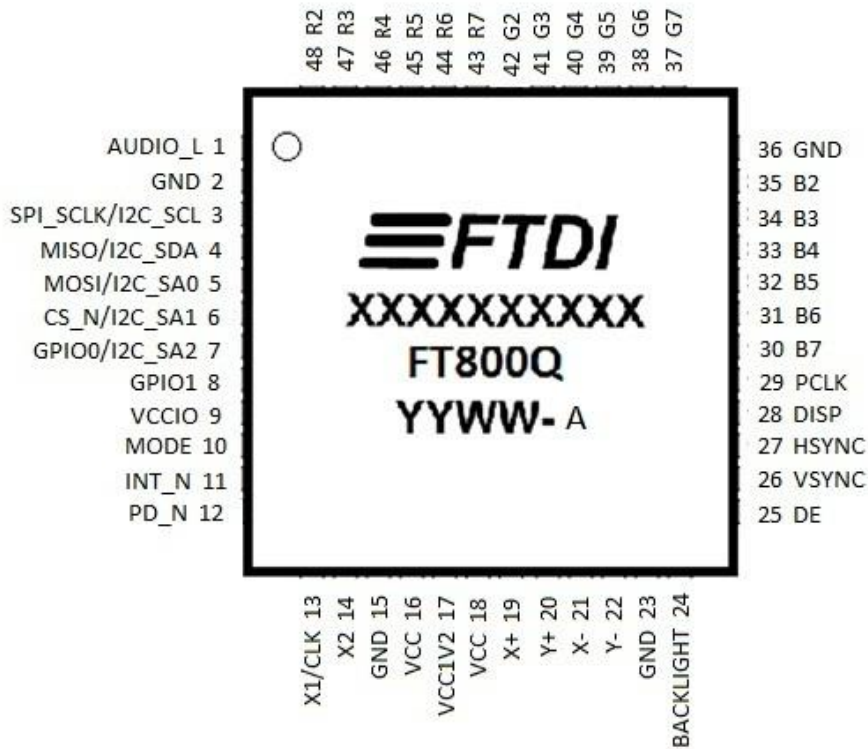




**Document No.:** FT\_000792  
**FT800 Embedded Video Engine**  
**Datasheet Version 1.1**  
**Clearance No.:** FTDI# 334

### 3 Device Pin Out and Signal Description

#### 3.1 VQFN-48 Package Pin Out



**Figure 3-1 Pin Configuration VQFN-48 (top view)**



### 3.2 Pin Description

**Table 3-1 FT800Q pin description**

Pin No.	Name	Type	Description
1	AUDIO_L	O	Audio PWM out, push-pull output, 16mA sink/source current. Pad powered from pin VCC.
2	GND	P	Ground
3	SPI_SCLK/ I2C_SCL	I	In SPI mode: SPI SCLK input. In I2C mode: SCL input, need external 1kΩ ~ 4.7kΩ pull up to VCCIO. Input pad with Schmitt trigger, 3.3V tolerant. Pad powered from pin VCCIO.
4	MISO/ I2C_SDA	I/O	In SPI mode: SPI MISO output. In I2C mode: SDA input/Open Drain Output, need external 1kΩ ~ 4.7kΩ pull up to VCCIO. Input with Schmitt trigger, 3.3V tolerant, 4/8/12/16mA sink/source current. Pad powered from pin VCCIO.
5	MOSI/ I2C_SA0	I	In SPI mode: SPI MOSI input. In I2C mode: Input, bit 0 of I2C device address. Input pad, 3.3V tolerant. Pad powered from pin VCCIO.
6	CS_N/ I2C_SA1	I	In SPI mode: SPI CS_N input, active low. In I2C mode: Input, bit 1 of I2C device address. Input pad, 3.3V tolerant. Pad powered from pin VCCIO.
7	GPIO0/ I2C_SA2	I/O	In SPI mode: General purpose input, output port. In I2C mode: Input, bit 2 of I2C device address. Push-pull, three-state output. 3.3V tolerant, 4/8/12/16mA sink/source current. Pad powered from pin VCCIO.
8	GPIO1	I/O	General purpose input, output port. Push-pull, three-state output. 3.3V tolerant, 4/8/12/16mA sink/source current. Pad powered from pin VCCIO.



**Document No.:** FT\_000792  
**FT800 Embedded Video Engine**  
**Datasheet Version 1.1**  
**Clearance No.:** FTDI# 334

Continued

Pin No.	Name	Type	Description
9	VCCIO	P	I/O power supply, connect a 0.1uF decoupling capacitor. Support 1.8V, 2.5V or 3.3V. Note: VCCIO supply to IO pads from pin 3 to 12 only.
10	MODE	I	Host interface SPI(pull low) or I2C(pull up) mode select input, 3.3V tolerant Pad powered from pin VCCIO.
11	INT_N	OD	Host Interrupt, open drain output, active low, pull up to VCCIO through a 1kΩ ~10kΩ resistor.
12	PD_N	I	Power down input, active low, 3.3V tolerant, pull up to VCCIO through 47kΩ resistor and 100nF to ground. Pad powered from pin VCCIO.
13	X1/ CLK	I	Crystal oscillator or clock input; Connect to GND if not used. 3.3V peak input allowed. Pad powered from pin VCC.
14	X2	O	Crystal oscillator output; leave open if not used. Pad powered from pin VCC.
15	GND	P	Ground
16	VCC	P	3.3V power supply input.
17	VCC1V2	O	1.2V regulator output pin. Connect a 4.7uF decoupling capacitor to GND.
18	VCC	P	3.3V power supply input.
19	X+	AI/O	Connect to X right electrode of 4-wire touch-screen panel. Pad powered from pin VCC.
20	Y+	AI/O	Connect to Y top electrode of 4-wire touch-screen panel. Pad powered from pin VCC.
21	X-	AI/O	Connect to X left electrode of 4-wire touch-screen panel. Pad powered from pin VCC.
22	Y-	AI/O	Connect to Y bottom electrode of 4-wire touch-screen panel. Pad powered from pin VCC.
23	GND	P	Ground



**Document No.:** FT\_000792  
**FT800 Embedded Video Engine**  
**Datasheet Version 1.1**  
**Clearance No.:** FTDI# 334

Continued

Pin No.	Name	Type	Description
24	BACKLIGHT	O	LED Backlight brightness PWM control signal, push-pull output, 4/8mA sink/source current. Pad powered from pin VCC.
25	DE	O	LCD Data Enable, push-pull output, 4/8mA sink/source current. Pad powered from pin VCC.
26	VSYNC	O	LCD Vertical Sync, push-pull output, 4/8mA sink/source current. Pad powered from pin VCC.
27	HSYNC	O	LCD Horizontal Sync, push-pull output, 4/8mA sink/source current. Pad powered from pin VCC.
28	DISP	O	General purpose output pin for LCD Display Enable, push-pull output, 4/8mA sink/source current. Control by writing to Bit 7 of REG_GPIO register. Pad powered from pin VCC.
29	PCLK	O	LCD Pixel Clock, push-pull output, 4/8mA sink/source current. Pad powered from pin VCC.
30	B7	O	Bit 7 of Blue RGB signals, push-pull output, 4/8mA sink/source current. Pad powered from pin VCC.
31	B6	O	Bit 6 of Blue RGB signals, push-pull output, 4/8mA sink/source current. Pad powered from pin VCC.
32	B5	O	Bit 5 of Blue RGB signals, push-pull output, 4/8mA sink/source current. Pad powered from pin VCC.
33	B4	O	Bit 4 of Blue RGB signals, push-pull output, 4/8mA sink/source current. Pad powered from pin VCC.
34	B3	O	Bit 3 of Blue RGB signals, push-pull output, 4/8mA sink/source current. Pad powered from pin VCC.
35	B2	O	Bit 2 of Blue RGB signals, push-pull output, 4/8mA sink/source current. Pad powered from pin VCC.
36	GND	P	Ground



**Document No.:** FT\_000792  
**FT800 Embedded Video Engine**  
**Datasheet Version 1.1**  
**Clearance No.:** FTDI# 334

Continued

Pin No.	Name	Type	Description
37	G7	O	Bit 7 of Green RGB signals, push-pull output, 4/8mA sink/source current. Pad powered from pin VCC.
38	G6	O	Bit 6 of Green RGB signals, push-pull output, 4/8mA sink/source current. Pad powered from pin VCC.
39	G5	O	Bit 5 of Green RGB signals, push-pull output, 4/8mA sink/source current. Pad powered from pin VCC.
40	G4	O	Bit 4 of Green RGB signals, push-pull output, 4/8mA sink/source current. Pad powered from pin VCC.
41	G3	O	Bit 3 of Green RGB signals, push-pull output, 4/8mA sink/source current. Pad powered from pin VCC.
42	G2	O	Bit 2 of Green RGB signals, push-pull output, 4/8mA sink/source current. Pad powered from pin VCC.
43	R7	O	Bit 7 of Red RGB signals, push-pull output, 4/8mA sink/source current. Pad powered from pin VCC.
44	R6	O	Bit 6 of Red RGB signals, push-pull output, 4/8mA sink/source current. Pad powered from pin VCC.
45	R5	O	Bit 5 of Red RGB signals, push-pull output, 4/8mA sink/source current. Pad powered from pin VCC.
46	R4	O	Bit 4 of Red RGB signals, push-pull output, 4/8mA sink/source current. Pad powered from pin VCC.



**Document No.:** FT\_000792  
**FT800 Embedded Video Engine**  
**Datasheet Version 1.1**  
**Clearance No.:** FTDI# 334

Continued

Pin No.	Name	Type	Description
47	R3	O	Bit 3 of Red RGB signals, push-pull output, 4/8mA sink/source current. Pad powered from pin VCC.
48	R2	O	Bit 2 of Red RGB signals, push-pull output, 4/8mA sink/source current. Pad powered from pin VCC.
EP	GND	P	Ground. Exposed thermal pad.

Note:

- P : Power or ground
- I : Input
- O : Output
- OD : Open drain output
- I/O : Bi-direction Input and Output
- AI/O : Analog Input and Output



**Document No.: FT\_000792**  
**FT800 Embedded Video Engine**  
**Datasheet Version 1.1**  
**Clearance No.: FTDI# 334**

## 4 Function Description

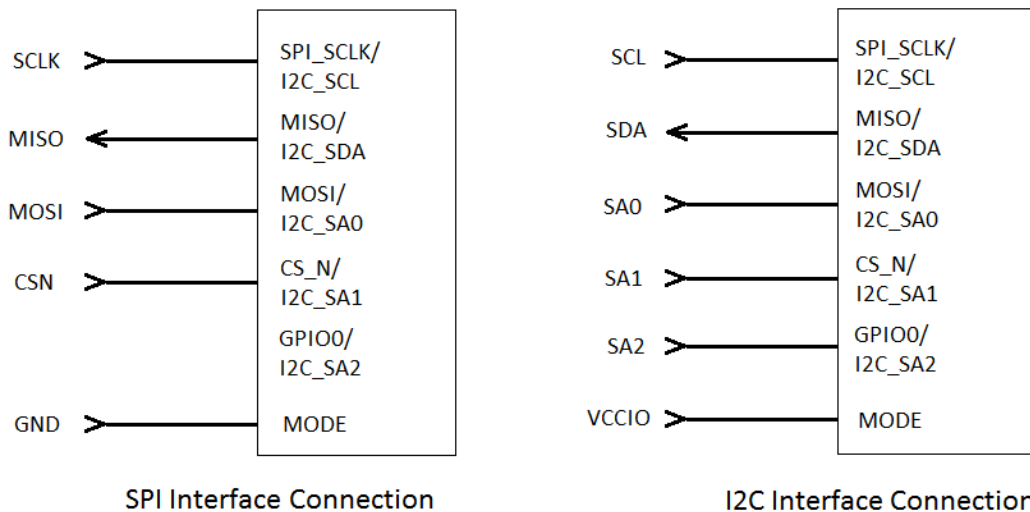
The FT800 is a single chip, embedded graphic controller with the following function blocks:

- Serial Host Interface
- System Clock
- Graphics Engine
- Parallel RGB video interface
- Audio Engine
- Touch-screen Engine
- Power Management

The functions for each block are briefly described in the following subsections.

### 4.1 Serial Host Interface

The FT800 uses a standard serial interface to communicate with most types of microcontrollers and microprocessors. The interface mode is configurable by pull down for SPI and pull up for I<sup>2</sup>C on pin 10 (MODE). Figure 4-1 shows the two alternative mode connections.

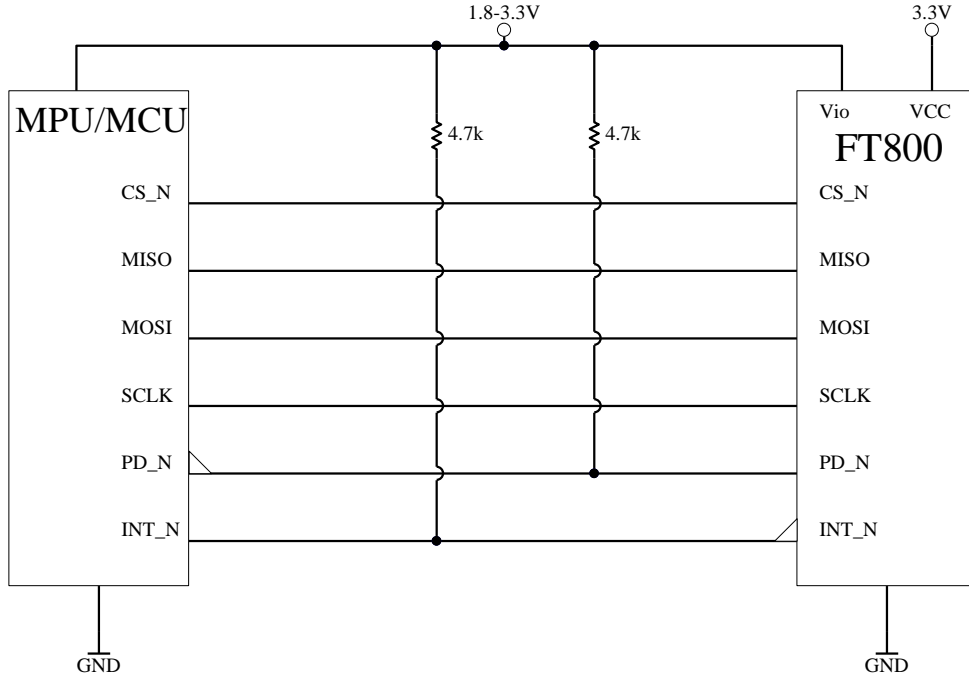


**Figure 4-1 Host Interface Options**



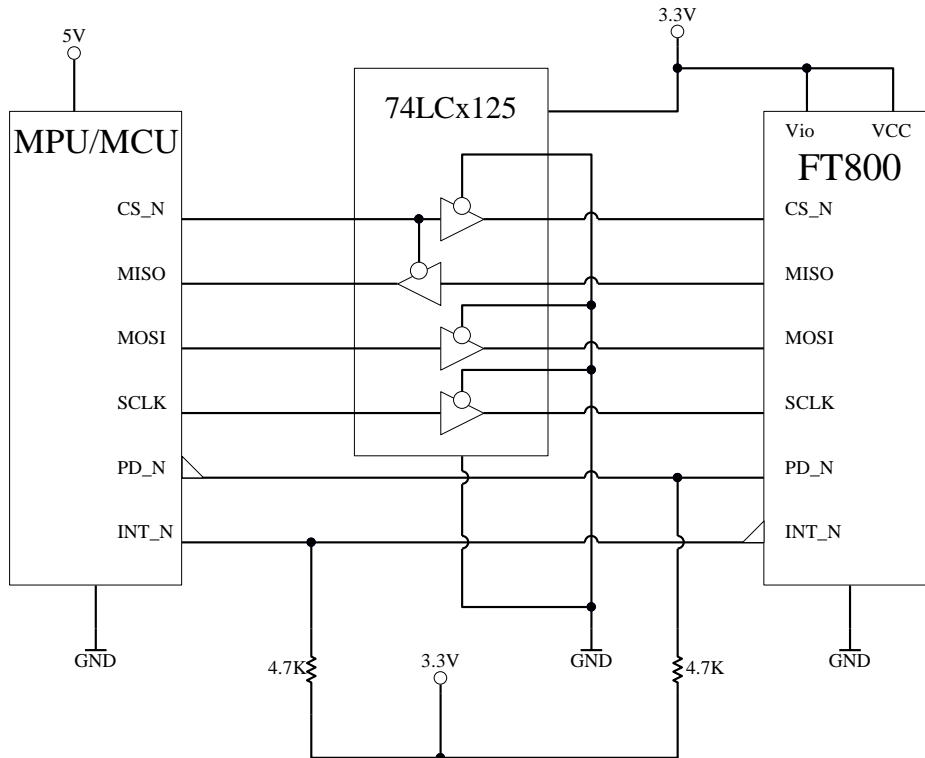
**Document No.:** FT\_000792  
**FT800 Embedded Video Engine**  
**Datasheet Version 1.1**  
**Clearance No.:** FTDI# 334

Figure 4-2 illustrates a direct connection to a 1.8-3.3V IO MPU/MCU.



**Figure 4-2 SPI Interface 1.8-3.3V connection**

Figure 4-3 illustrates the FT800 connected to a 5V IO MPU/MCU. The 74LCX125 logic buffer can tolerate 5V signal from the MPU/MCU, and the FT800 input signals are limited to 3.3V.



**Figure 4-3 SPI Interface 5V connection**





Document No.: FT\_000792  
 FT800 Embedded Video Engine  
 Datasheet Version 1.1  
 Clearance No.: FTDI# 334

### 4.1.1 SPI Interface

The SPI slave interface operates up to 30MHz. Only SPI mode 0 is supported. Refer to section 6.4.2 for detailed timing specification.

The SPI interface is selected when the MODE pin is tied to GND.

### 4.1.2 I<sup>2</sup>C Interface

The I<sup>2</sup>C slave interface operates up to 3.4MHz, supporting standard-mode, fast-mode, fast-mode plus and high-speed mode. Refer to section 6.4.3 for detailed timing specification.

The I<sup>2</sup>C device address is configurable between 20h to 27h depending on the I<sup>2</sup>C\_SA[2:0] pin setting, ie the 7-bit I2C slave address is 0b'0100A<sub>2</sub>A<sub>1</sub>A<sub>0</sub>.

The I<sup>2</sup>C interface is selected when the MODE pin is tied to VCCIO.

### 4.1.3 Serial Data Protocol

The FT800 appears to the host MPU/MCU as a memory-mapped SPI or I<sup>2</sup>C device. The host communicates with the FT800 using reads and writes to a large (4 megabyte) address space. Within this address space are dedicated areas for graphics, audio and touch control. Refer to section 5 for the detailed memory map.

The host reads and writes the FT800 address space using SPI or I<sup>2</sup>C transactions. These transactions are memory read, memory write and command write. Serial data is sent by the most significant bit first. For I<sup>2</sup>C transactions, the same byte sequence is encapsulated in the I<sup>2</sup>C protocol.

For SPI operation, each transaction starts with CS\_N goes low, and ends when CS\_N goes high. There's no limit on data length within one transaction, as long as the memory address is continuous.

### 4.1.4 Host Memory Read

For SPI memory read transaction, the host sends two zero bits, followed by the 22-bit address. This is followed by a dummy byte. After the dummy byte, the FT800 responds to each host byte with read data bytes.

**Table 4-1 Host memory read transaction (SPI)**

7	6	5	4	3	2	1	0
0	0	Address [21:16]					
Address [15:8]							
Address [7:0]							
Dummy byte							
Byte 0							
Byte n							

} Write Address

} Read Data



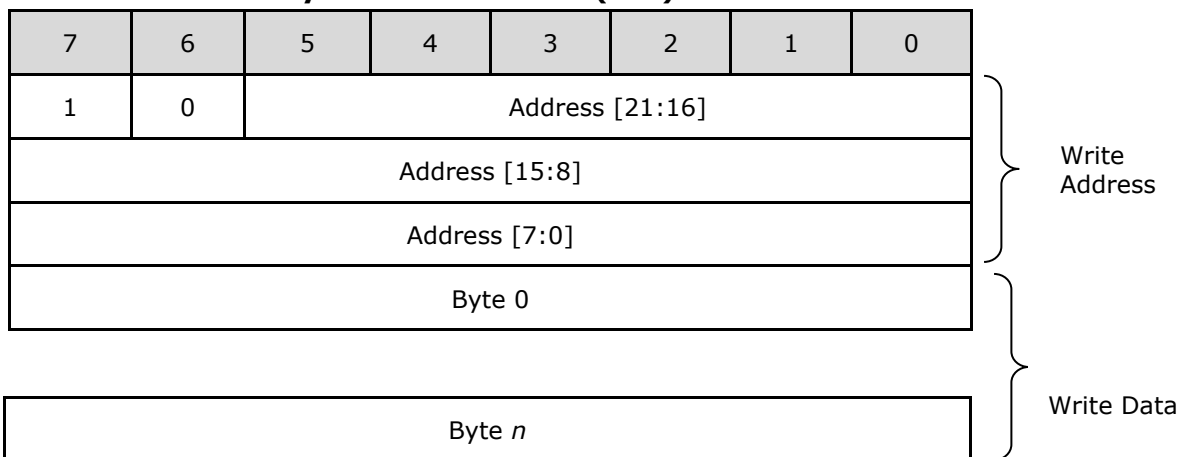
For I<sup>2</sup>C memory read transaction, bytes are packed in the I<sup>2</sup>C protocol as follow:

```
[start] <DEVICE ADDRESS + write bit>
<00b+Address[21:16]>
<Address[15:8]>
<Address[7:0]>
[restart] <DEVICE ADDRESS + read bit>
<Read data byte 0>
....
<Read data byte n>[stop]
```

### 4.1.5 Host Memory Write

For SPI memory write transaction, the host sends a '1' bit and '0' bit, followed by the 22-bit address. This is followed by the write data.

**Table 4-2 Host memory write transaction (SPI)**



For I<sup>2</sup>C memory write transaction, bytes are packed in the I<sup>2</sup>C protocol as follow:-

```
[start] <DEVICE ADDRESS + write bit>
<10b,Address[21:16]>
<Address[15:8]>
<Address[7:0]>
<Write data byte 0>
....
<Write data byte n> [stop]
```

### 4.1.6 Host Command

When sending a command, the host transmits a 3 byte command. **Error! Reference source not found.** lists all the host command functions.

Note: ACTIVE command is generated by dummy memory read from address 0 when FT800 is in sleep or standby mode.

For SPI command transaction, the host sends a '0' bit and '1' bit, followed by the 6-bit command code. This is followed by 2 bytes 00h.



**Table 4-3 Host command transaction (SPI)**

7	6	5	4	3	2	1	0
0	1	Command [5:0]					
0	0	0	0	0	0	0	0
0	0	0	0	0	0	0	0

For I<sup>2</sup>C command transaction, bytes are packed in the I<sup>2</sup>C protocol as follows:

[start] <DEVICE ADDRESS + write bit>  
 <01b,Command[5:0]>  
 <00h>  
 <00h> [stop]

**Table 4-4 Host Command Table**

1 <sup>st</sup> Byte	2 <sup>nd</sup> byte	3 <sup>rd</sup> byte	Command	Description
<b>Power Modes</b>				
00000000b	00000000b	00000000b	00h ACTIVE	Switch from Standby/Sleep modes to active mode. Dummy read from address 0 generates ACTIVE command.
01000001b	00000000b	00000000b	41h STANDBY	Put FT800 core to standby mode. Clock gate off, PLL and Oscillator remain on (default).
01000010b	00000000b	00000000b	42h SLEEP	Put FT800 core to sleep mode. Clock gate off, PLL and Oscillator off.
01010000b	00000000b	00000000b	50h PWRDOWN	Switch off 1.2V internal regulator. Clock, PLL and Oscillator off.
<b>Clock Switching</b>				
01000100b	00000000b	00000000bN A	44h CLKEXT	Enable PLL input from Crystal oscillator or external input clock.
01100010b	00000000b	00000000bN A	62h CLK48M	Switch PLL output clock to 48MHz (default).
01100001b	00000000b	00000000b	61h CLK36M	Switch PLL output clock to 36MHz.
<b>Miscellaneous</b>				
01101000b	00000000b	00000000b	68h CORERST	Send reset pulse to FT800 core. All registers and state machines will be reset.

NOTE: Any command code not specified is reserved and should not be used by the software

### 4.1.7 Interrupts

The interrupt output pin is enabled by REG\_INT\_EN. When REG\_INT\_EN is 0, INT\_N is tri-state (pulled to high by external pull-up resistor). When REG\_INT\_EN is 1, INT\_N is driven low when any of the interrupt flags in REG\_INT\_FLAGS are high, after masking with REG\_INT\_MASK. Writing a '1' in any bit of REG\_INT\_MASK will enable the correspond interrupt. Each bit in REG\_INT\_FLAGS is set by a corresponding interrupt source. REG\_INT\_FLAGS is readable by the host at any time, and clears when read.



**Document No.: FT\_000792**  
**FT800 Embedded Video Engine**  
**Datasheet Version 1.1**  
**Clearance No.: FTDI# 334**

When the FT800 is in sleep mode, a touch event detected on the touch-screen will drive the INT\_N pin to low regardless the setting of REG\_INT\_EN and REG\_INT\_MASK. The MCU can use this signal to serve as a wakeup event.

**Table 4-5 Interrupt Flags bit assignment**

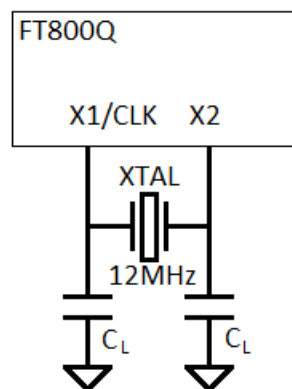
Bit	7	6	5	4
Interrupt Sources	CONVCOMPLETE	CMDFLAG	CMDEEMPTY	PLAYBACK
Conditions	Touch-screen conversions completed	Command FIFO flag	Command FIFO empty	Audio playback ended
Bit	3	2	1	0
Interrupt Sources	SOUND	TAG	TOUCH	SWAP
Conditions	Sound effect ended	Touch-screen tag value change	Touch-screen touch detected	Display list swap occurred

## 4.2 System Clock

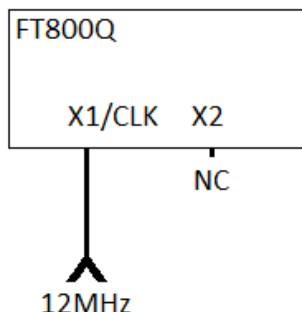
### 4.2.1 Crystal Oscillator

(Please refer to table 4-4, host command. It is required to enable PLL from crystal or input clock for normal operation **Error! Reference source not found.**)

The FT800 crystal oscillator generates the input clock for system clock. Either a 12MHz crystal or a 12MHz square wave clock can be used as clock source. Figure 4-4 and shows the pin connections for these clock options.



**Figure 4-4 Crystal oscillator connection**



**Figure 4-5 External Clock Input**

### 4.2.2 Phase Locked Loop

The internal PLL takes 12MHz input from the crystal oscillator. The PLL outputs clock to all internal circuits, including graphics engine, audio engine and touch engine.

### 4.2.3 Clock Enable

Upon power on the FT800 enters standby mode. The system clock will be enabled when following steps are executed:

- Host sends an "ACTIVE" command (dummy read at address 0)
- Host sends an "CLKEXT" command
- Host writes to REG\_PCLK with non-zero value (ie 5)

If SPI is used as host interface, the SPI clock shall not exceed 11MHz before system clock is enabled. After system clock is properly enabled, the SPI clock is allowed to go up to 30MHz.

### 4.2.4 Clock Frequency

By default the system clock is 48MHz. Host is allowed to switch the system clock between 48MHz and 36MHz by the host command "CLK48MHz" and "CLK36MHz" respectively. The clock switching is synchronised to VSYNC edge on the fly. This is to avoid possible graphics glitch during clock switching. As a result, the clock switch will only take effect if the REG\_PCLK is a non-zero value.

## 4.3 Graphics Engine

### 4.3.1 Introduction

The graphics engine executes the display list once for every horizontal line. It executes the primitive objects in the display list and constructs the display line buffer. The horizontal pixel content in the line buffer is updated if the object is visible at the horizontal line.

Main features of the graphics engine are:



**Document No.: FT\_000792**  
**FT800 Embedded Video Engine**  
**Datasheet Version 1.1**  
**Clearance No.: FTDI# 334**

- The primitive objects supported by the graphics processor are: lines, points, rectangles, bitmaps (comprehensive set of formats), text display, plotting bar graph, edge strips, and line strips, etc.
- Operations such as stencil test, alpha blending and masking are useful for creating a rich set of effects such as shadows, transitions, reveals, fades and wipes.
- Anti-aliasing of the primitive objects (except bitmaps) gives a smoothing effect to the viewer.
- Bitmap transformations enable operations such as translate, scale and rotate.
- Display pixels are plotted with 1/16<sup>th</sup> pixel precision.
- Four levels of graphics states
- Tag buffer detection

The graphics engine also supports customized build-in widgets and functionalities such as jpeg decode, screen saver, calibration etc. The graphics engine interprets commands from the MPU host via a 4 Kbyte FIFO in FT800 memory at RAM\_CMD. The MPU/MCU writes commands into the FIFO, and the graphics engine reads and executes the commands. The MPU/MCU updates register REG\_CMD\_WRITE to indicate that there are new commands in the FIFO, and the graphics engine updates REG\_CMD\_READ after commands have been executed.

Main features supported are:

- Drawing of widgets such as buttons, clock, keys, gauges, text displays, progress bars, sliders, toggle switches, dials, gradients, etc.
- JPEG decode (Only baseline is supported)
- Inflate functionality (zlib inflate is supported)
- Timed interrupt (generate an interrupt to host processor after a specified number of milliseconds)
- In built animated functionalities such as displaying logo, calibration, spinner, screen saver and sketch
- Snapshot feature to capture the current graphics display

For a complete list of graphics engine display commands and widgets refer to FT800 Programmer Guide [FTDI Document FT\_000793], Chapter 4.

### 4.3.2 ROM and RAM Fonts

The FT800 has built in ROM character bitmaps as font metrics. The graphics engine can use these metrics when drawing text fonts. There are total 16 ROM fonts, numbered with font handle 16-31. The user can define and load customized font metrics into RAM\_G, which can be used by display command with handle 0-15.

Each font metric block has a 148 byte font table which defines the parameters of the font and the pointer of font image. The font table format is shown in Table 4-6.

**Table 4-6 Font table format**

Address Offset	Size(byte)	Parameter Description
0	128	width of each font character, in pixels
128	4	font bitmap format, for example L1, L4 or L8
132	4	font line stride, in bytes
136	4	font width, in pixels
140	4	font height, in pixels
144	4	pointer to font image data in memory

The ROM fonts are stored in the memory space ROM\_FONT. The ROM font table is also stored in the ROM. The starting address of ROM font table for font index 16 is stored at ROM\_FONT\_ADDR, with other font tables follow. The ROM font table and individual character width (in pixel) are listed in Table 4-7 through Table 4-9.



**Table 4-7 ROM font table**

Font Index	16	17	18	19	20	21	22	23	24	25	26	27	28	29	30	31
Font format	L1	L1	L1	L1	L1	L1	L1	L1	L1	L1	L4	L4	L4	L4	L4	L4
Line stride	1	1	1	1	2	2	2	3	3	4	6	8	9	11	14	18
Font width	8	8	8	8	10	13	14	17	24	30	12	16	18	22	28	36
Font height	8	8	16	16	13	17	20	22	29	38	16	20	25	28	36	49
Image pointer start address (hex)	FFBFC	FF7FC	FEFFC	FE7FC	FDAFC	FCD3C	FBD7C	FA17C	F7E3C	F3D1C	F201C	EDC1C	E7F9C	E01BC	D2C3C	BB23C

**Table 4-8 ROM font character width (1)**

Font Index	16	17	18	19	20	21	22	23	24	25	26	27	28	29	30	31	
0	NULL	8	8	8	8	0	0	0	0	0	0	0	0	0	0	0	
1	SOH	8	8	8	8	0	0	0	0	0	0	0	0	0	0	0	
2	STX	8	8	8	8	0	0	0	0	0	0	0	0	0	0	0	
3	ETX	8	8	8	8	0	0	0	0	0	0	0	0	0	0	0	
4	EOT	8	8	8	8	0	0	0	0	0	0	0	0	0	0	0	
5	ENQ	8	8	8	8	0	0	0	0	0	0	0	0	0	0	0	
6	ACK	8	8	8	8	0	0	0	0	0	0	0	0	0	0	0	
7	BEL	8	8	8	8	0	0	0	0	0	0	0	0	0	0	0	
8	BS	8	8	8	8	0	0	0	0	0	0	0	0	0	0	0	
9	HT	8	8	8	8	0	0	0	0	0	0	0	0	0	0	0	
10	LF	8	8	8	8	0	0	0	0	0	0	0	0	0	0	0	
11	VT	8	8	8	8	0	0	0	0	0	0	0	0	0	0	0	
12	FF	8	8	8	8	0	0	0	0	0	0	0	0	0	0	0	
13	CR	8	8	8	8	0	0	0	0	0	0	0	0	0	0	0	
14	SO	8	8	8	8	0	0	0	0	0	0	0	0	0	0	0	
15	SI	8	8	8	8	0	0	0	0	0	0	0	0	0	0	0	
16	DLE	8	8	8	8	0	0	0	0	0	0	0	0	0	0	0	
17	DC1	8	8	8	8	0	0	0	0	0	0	0	0	0	0	0	
18	DC2	8	8	8	8	0	0	0	0	0	0	0	0	0	0	0	
19	DC3	8	8	8	8	0	0	0	0	0	0	0	0	0	0	0	
20	DC4	8	8	8	8	0	0	0	0	0	0	0	0	0	0	0	
21	NAK	8	8	8	8	0	0	0	0	0	0	0	0	0	0	0	
22	SYN	8	8	8	8	0	0	0	0	0	0	0	0	0	0	0	
23	ETB	8	8	8	8	0	0	0	0	0	0	0	0	0	0	0	
24	CAN	8	8	8	8	0	0	0	0	0	0	0	0	0	0	0	
25	EM	8	8	8	8	0	0	0	0	0	0	0	0	0	0	0	
26	SUB	8	8	8	8	0	0	0	0	0	0	0	0	0	0	0	
27	ESC	8	8	8	8	0	0	0	0	0	0	0	0	0	0	0	
28	FS	8	8	8	8	0	0	0	0	0	0	0	0	0	0	0	
29	GS	8	8	8	8	0	0	0	0	0	0	0	0	0	0	0	
30	RS	8	8	8	8	0	0	0	0	0	0	0	0	0	0	0	
31	US	8	8	8	8	0	0	0	0	0	0	0	0	0	0	0	
32	space	8	8	8	8	3	4	5	5	6	9	3	4	5	6	8	10
33	!	8	8	8	8	3	4	5	6	6	9	4	4	6	6	8	11
34	"	8	8	8	8	4	5	6	5	8	12	5	6	8	9	11	15
35	#	8	8	8	8	6	8	9	10	14	19	9	11	13	15	19	26
36	\$	8	8	8	8	6	8	9	10	13	18	8	10	12	14	18	24
37	%	8	8	8	8	9	12	14	16	22	29	10	12	15	18	23	31
38	&	8	8	8	8	8	10	11	13	17	22	9	11	13	15	19	26
39	'	8	8	8	8	2	3	3	3	6	6	3	4	5	5	7	9
40	(	8	8	8	8	4	5	6	6	8	11	5	6	7	8	11	14
41	)	8	8	8	8	4	5	6	6	8	11	5	6	7	8	10	14

ASCII Character width in pixels



Document No.: FT\_000792  
 FT800 Embedded Video Engine  
 Datasheet Version 1.1  
 Clearance No.: FTDI# 334

Font Index		16	17	18	19	20	21	22	23	24	25	26	27	28	29	30	31
42	*	8	8	8	8	4	7	6	7	10	13	6	7	9	10	13	18
43	+	8	8	8	8	6	9	10	10	14	19	8	10	12	14	18	24
44	,	8	8	8	8	3	3	4	5	6	9	3	4	5	5	7	9
45	-	8	8	8	8	4	4	5	6	8	11	6	8	9	11	14	19
46	.	8	8	8	8	3	3	4	5	6	9	4	5	6	6	8	11
47	/	8	8	8	8	3	4	5	5	7	9	6	7	9	10	13	17
48	0	8	8	8	8	6	8	9	10	13	18	8	10	12	14	17	24
49	1	8	8	8	8	6	8	9	10	13	18	8	10	12	14	17	24
50	2	8	8	8	8	6	8	9	10	13	18	8	10	12	14	17	24
51	3	8	8	8	8	6	8	9	10	13	18	8	10	12	14	17	24
52	4	8	8	8	8	6	8	9	10	13	18	8	10	12	14	17	24
53	5	8	8	8	8	6	8	9	10	13	18	8	10	12	14	17	24
54	6	8	8	8	8	6	8	9	10	13	18	8	10	12	14	17	24
55	7	8	8	8	8	6	8	9	10	13	18	8	10	12	14	17	24
56	8	8	8	8	8	6	8	9	10	13	18	8	10	12	14	17	24
57	9	8	8	8	8	6	8	9	10	13	18	8	10	12	14	17	24
58	:	8	8	8	8	3	3	4	5	6	9	4	4	5	6	8	11
59	;	8	8	8	8	3	4	4	5	6	9	4	4	5	6	8	11
60	<	8	8	8	8	6	8	10	10	15	19	7	9	11	12	16	21
61	=	8	8	8	8	5	9	10	11	15	19	8	10	12	14	17	24
62	>	8	8	8	8	6	8	10	10	15	19	7	9	11	13	16	22
63	?	8	8	8	8	6	8	9	10	12	18	7	8	10	11	15	20

Table 4-9 ROM font character width (2)

Font Index		16	17	18	19	20	21	22	23	24	25	26	27	28	29	30	31
64	@	8	8	8	8	11	13	17	18	25	34	13	15	19	21	28	38
65	A	8	8	8	8	7	9	11	13	17	22	9	11	13	15	20	27
66	B	8	8	8	8	7	9	11	13	17	22	9	11	13	15	20	27
67	C	8	8	8	8	8	10	12	14	18	24	9	11	13	15	20	27
68	D	8	8	8	8	8	10	12	14	18	24	9	12	14	16	21	28
69	E	8	8	8	8	7	9	11	13	16	22	8	9	12	13	17	23
70	F	8	8	8	8	6	8	10	12	14	20	8	9	12	13	17	23
71	G	8	8	8	8	8	11	13	15	19	25	9	12	14	16	21	28
72	H	8	8	8	8	8	10	12	14	18	24	10	12	15	17	22	30
73	I	8	8	8	8	3	4	4	6	8	9	4	5	6	7	9	12
74	J	8	8	8	8	5	7	8	10	13	16	8	9	12	13	17	23
75	K	8	8	8	8	7	9	11	13	18	22	9	11	14	15	20	27
76	L	8	8	8	8	6	8	9	11	14	18	8	9	12	13	17	23
77	M	8	8	8	8	9	12	13	16	21	27	12	15	18	21	27	36
78	N	8	8	8	8	8	10	12	14	18	24	10	12	15	17	22	30
79	O	8	8	8	8	8	11	13	15	18	25	10	12	14	16	21	29
80	P	8	8	8	8	7	9	11	13	16	22	9	11	13	15	20	27
81	Q	8	8	8	8	8	11	13	15	18	26	10	12	15	17	22	29
82	R	8	8	8	8	7	10	12	14	17	24	9	11	13	15	20	27
83	S	8	8	8	8	7	9	11	13	16	22	9	10	13	15	19	26
84	T	8	8	8	8	5	9	10	12	16	20	9	10	13	14	19	25
85	U	8	8	8	8	8	10	12	14	18	24	9	12	14	16	21	28
86	V	8	8	8	8	7	9	11	13	17	22	12	11	14	15	20	27
87	W	8	8	8	8	9	13	15	18	22	31	9	15	18	21	27	36
88	X	8	8	8	8	7	9	11	13	17	22	9	11	13	15	20	27
89	Y	8	8	8	8	7	9	11	13	16	22	8	11	13	15	20	27
90	Z	8	8	8	8	7	9	10	12	15	20	4	10	13	14	19	25
91	[	8	8	8	8	3	4	5	5	7	9	6	5	6	7	8	11
92	\	8	8	8	8	3	4	5	5	7	9	4	7	9	10	13	18
93	]	8	8	8	8	3	4	5	5	7	9	6	5	6	6	8	11
94	^	8	8	8	8	6	7	8	9	12	16	7	7	9	10	13	18

ASCII Character width in pixels





Document No.: FT\_000792  
 FT800 Embedded Video Engine  
 Datasheet Version 1.1  
 Clearance No.: FTDI# 334

Font Index	16	17	18	19	20	21	22	23	24	25	26	27	28	29	30	31	
95	—	8	8	8	8	6	8	9	11	14	18	4	8	10	11	15	20
96	`	8	8	8	8	3	5	6	4	7	11	8	5	7	8	10	13
97	a	8	8	8	8	5	8	9	11	13	18	8	9	12	13	17	23
98	b	8	8	8	8	6	7	9	11	14	18	7	10	12	14	18	24
99	c	8	8	8	8	5	7	8	10	12	16	8	9	11	13	16	22
100	d	8	8	8	8	6	8	9	11	14	18	7	10	12	14	18	24
101	e	8	8	8	8	5	8	9	10	13	18	5	9	11	13	16	22
102	f	8	8	8	8	4	4	5	6	8	9	8	6	8	9	11	15
103	g	8	8	8	8	6	8	9	11	14	18	8	10	12	14	18	24
104	h	8	8	8	8	6	8	9	10	13	18	4	10	12	14	18	24
105	i	8	8	8	8	2	3	3	4	6	7	4	4	5	6	8	11
106	j	8	8	8	8	2	3	4	4	6	7	8	4	5	6	8	11
107	k	8	8	8	8	5	7	8	9	12	16	4	9	11	13	16	22
108	l	8	8	8	8	2	3	3	4	6	7	12	4	5	6	8	11
109	m	8	8	8	8	8	11	14	16	20	27	8	15	18	21	27	37
110	n	8	8	8	8	6	8	9	10	14	18	8	10	12	14	18	24
111	o	8	8	8	8	6	8	9	11	13	18	8	10	12	14	18	24
112	p	8	8	8	8	6	8	9	11	14	18	8	10	12	14	18	24
113	q	8	8	8	8	6	8	9	11	14	18	5	10	12	14	18	24
114	r	8	8	8	8	4	5	5	6	9	11	7	6	7	8	11	15
115	s	8	8	8	8	5	7	8	9	12	16	5	9	11	13	16	22
116	t	8	8	8	8	4	4	5	6	8	9	8	6	7	8	10	13
117	u	8	8	8	8	5	7	9	10	14	18	7	10	12	14	18	24
118	v	8	8	8	8	6	7	8	10	13	16	11	9	11	12	16	21
119	w	8	8	8	8	8	10	12	14	18	23	7	13	16	18	23	32
120	x	8	8	8	8	6	7	8	10	12	16	7	9	11	12	16	21
121	y	8	8	8	8	5	7	8	10	13	16	7	9	11	12	16	21
122	z	8	8	8	8	5	7	8	9	12	16	5	9	11	12	16	21
123	{	8	8	8	8	3	5	6	6	8	11	3	6	7	8	11	14
124		8	8	8	8	3	3	4	5	6	9	5	4	5	6	8	10
125	}	8	8	8	8	3	5	6	6	8	11	10	6	7	8	11	14
126	~	8	8	8	8	7	8	10	10	14	19	3	12	14	16	21	29
127	DEL	8	8	8	8	0	0	0	0	0	0	2	4	5	6	8	10

#### 4.4 Parallel RGB Interface

The RGB parallel interface consists of 23 signals - DISP, PCLK, VSYNC, HSYNC, DE, 6 signals each for R, G and B.

Several registers configure the LCD operation of these signals as follow:

REG\_PCLK is the PCLK divisor the default is 0, and disables the PCLK output.

$$\text{PCLK frequency} = \text{System Clock frequency} / \text{REG\_PCLK}$$

PCLK\_POL define the clock polarity, =0 for positive active clock edge, and 1 for negative clock edge.

REG\_CSPREAD controls the transition of RGB signals with respect to PCLK active clock edge. When REG\_CSPREAD=0, R[7:2],G[7:2] and B[7:2] signals change following the active edge of PCLK. When REG\_CSPREAD=1, R[7:2] changes a PCLK clock early and B[7:2] a PCLK clock later, which helps reduce the switching noise.

REG\_DITHER enables colour dither; the default is enabled. This option improves the half-tone appearance on displays. Internally, the graphics engine computes the colour values at an 8 bit precision; however, the LCD colour at a lower precision is sufficient. The FT800 output is only 6



**Document No.: FT\_000792**  
**FT800 Embedded Video Engine**  
**Datasheet Version 1.1**  
**Clearance No.: FTDI# 334**

bits per colour in 6:6:6 formats and a 2X2 dither matrix allow the truncated bits to contribute to the final colour values.

REG\_OUTBITS gives the bit width of each colour channel, the default is 6, 6, 6 bits for each RGB colour. A lower value means fewer bits are output for each channel allowing dithering on lower precision LCD displays.

REG\_SWIZZLE controls the arrangement of the output colour pins, to help the PCB route different LCD panel arrangements. Bit 0 of the register causes the order of bits in each colour channel to be reversed. Bits 1-3 control the RGB order. Setting Bit 1 causes R and B channels to be swapped. Setting Bit 3 allows rotation to be enabled. If Bit 3 is set, then (R,G,B) is rotated right if bit 2 is one, or left if bit 2 is zero.

**Table 4-10 REG\_SWIZZLE RGB Pins Mapping**

REG_SWIZZLE				PINS			
b3	b2	b1	b0	R7, R6, R5, R4, R3, R2	G7, G6, G5, G4, G3, G2	B7, B6, B5, B4, B3, B2	
0	X	0	0	R[7:2]	G[7:2]	B[7:2]	Power on Default
0	X	0	1	R[2:7]	G[2:7]	B[2:7]	
0	X	1	0	B[7:2]	G[7:2]	R[7:2]	
0	X	1	1	B[2:7]	G[2:7]	R[2:7]	
1	0	0	0	G[7:2]	B[7:2]	R[7:2]	
1	0	0	1	G[2:7]	B[2:7]	R[2:7]	
1	0	1	0	G[7:2]	R[7:2]	B[7:2]	
1	0	1	1	G[2:7]	R[2:7]	B[2:7]	
1	1	0	0	B[7:2]	R[7:2]	G[7:2]	
1	1	0	1	B[2:7]	R[2:7]	G[2:7]	
1	1	1	0	R[7:2]	B[7:2]	G[7:2]	
1	1	1	1	R[2:7]	B[2:7]	G[2:7]	



## 4.5 Miscellaneous Control

### 4.5.1 Backlight Control Pin

The backlight control pin is a pulse width modulated (PWM) signal controlled by two registers: *REG\_PWM\_HZ* and *REG\_PWM\_DUTY*. *REG\_PWM\_HZ* specifies the PWM output frequency, the range is 250-10000 Hz. *REG\_PWM\_DUTY* specifies the duty cycle; the range is 0-128. A value of 0 means that the PWM is completely off and 128 means completely on.

### 4.5.2 DISP Control Pin

The DISP pin is a general purpose output that can be used to enable or as a reset control to LCD display panel. The pin is controlled by writing to Bit 7 of *REG\_GPIO* register.

### 4.5.3 General Purpose IO pins

The GPIO1 and GPIO0 pins are default inputs. Write '1' to Bit 1 and 0 of *REG\_GPIO\_DIR* to change to output pins respectively. In I<sup>2</sup>C mode the GPIO0 is used as SA2 and is not available as GPIO.

GPIO1 and GPIO0 are read from or write to bit 1 and 0 of *REG\_GPIO* register. GPIO1 is recommended to be used as shutdown control for audio power amplifier.

### 4.5.4 Pins Drive Current Control

The output drive current of output pins can be changed as per the following table by writing to bit[6:2] of *REG\_GPIO* register:

**Table 4-11 Output drive current selection**

REG_GPIO	Bit[6:5]				Bit[4]		Bit[3:2]			
Value	00b#	01b	10b	11b	0b#	1b	00b#	01b	10b	11b
Drive Current	4mA	8mA	12mA	16mA	4mA	8mA	4mA	8mA	12mA	16mA
Pins	GPIO1 GPIO0				PCLK DISP VSYNC HSYNC DE R7..R2 G7..G2 B7..B2 BACKLIGHT		MISO INT_N			

Note: #Default value



## 4.6 Audio Engine

FT800 provides mono audio output through a PWM output pin, AUDIO\_L. It outputs the two audio sources, the sound synthesizer and audio file playback.

### 4.6.1 Sound Synthesizer

A sound processor, AUDIO ENGINE, generates the sound effects from a small ROM library of waves table. To play a sound effect listed in Table 4.3, load the REG\_SOUND register with a code value and write 1 to the REG\_PLAY register. The REG\_PLAY register reads 1 while the effect is playing and returns a '0' when the effects end. Some sound effects play continuously until it is interrupted or commanded to play the next sound effect. To interrupt an effect, write a new value to REG\_SOUND and REG\_PLAY registers; e.g. write 0 (Silence) to REG\_SOUND and 1 to PEG\_PLAY to stop the sound effect.

The sound volume is controlled by register REG\_VOL\_SOUND. The 16-bit REG\_SOUND register takes an 8-bit sound in the low byte. For some sounds, marked "pitch adjust" in the table below, the high 8 bits contain a MIDI note value. For these sounds, note value of zero indicates middle C. For other sounds the high byte of REG\_SOUND is ignored.

**Table 4-12 Sound Effect**

Value	Effect	Continuous	Pitch adjust
00h	Silence	Y	N
01h	square wave	Y	Y
02h	sine wave	Y	Y
03h	sawtooth wave	Y	Y
04h	triangle wave	Y	Y
05h	Beeping	Y	Y
06h	Alarm	Y	Y
07h	Warble	Y	Y
08h	Carousel	Y	Y
10h	1 short pip	N	Y
11h	2 short pips	N	Y
12h	3 short pips	N	Y
13h	4 short pips	N	Y
14h	5 short pips	N	Y
15h	6 short pips	N	Y
16h	7 short pips	N	Y
17h	8 short pips	N	Y
18h	9 short pips	N	Y
19h	10 short pips	N	Y
1Ah	11 short pips	N	Y
1Bh	12 short pips	N	Y
1Ch	13 short pips	N	Y
1Dh	14 short pips	N	Y
1Eh	15 short pips	N	Y
1Fh	16 short pips	N	Y
23h	DTMF #	Y	N
2Ch	DTMF *	Y	N
30h	DTMF 0	Y	N
31h	DTMF 1	Y	N

Value	Effect	Continuous	Pitch adjust
32h	DTMF 2	Y	N
33h	DTMF 3	Y	N
34h	DTMF 4	Y	N
35h	DTMF 5	Y	N
36h	DTMF 6	Y	N
37h	DTMF 7	Y	N
38h	DTMF 8	Y	N
39h	DTMF 9	Y	N
40h	harp	N	Y
41h	xylophone	N	Y
42h	tuba	N	Y
43h	glockenspiel	N	Y
44h	organ	N	Y
45h	trumpet	N	Y
46h	piano	N	Y
47h	chimes	N	Y
48h	music box	N	Y
49h	bell	N	Y
50h	click	N	N
51h	switch	N	N
52h	cowbell	N	N
53h	notch	N	N
54h	hihat	N	N
55h	kickdrum	N	N
56h	pop	N	N
57h	clack	N	N
58h	chack	N	N
60h	mute	N	N
61h	unmute	N	N



**Table 4-13 MIDI Note Effect**

MIDI note	ANSI note	Freq (Hz)
21	A0	27.5
22	A#0	29.1
23	B0	30.9
24	C1	32.7
25	C#1	34.6
26	D1	36.7
27	D#1	38.9
28	E1	41.2
29	F1	43.7
30	F#1	46.2
31	G1	49.0
32	G#1	51.9
33	A1	55.0
34	A#1	58.3
35	B1	61.7
36	C2	65.4
37	C#2	69.3
38	D2	73.4
39	D#2	77.8
40	E2	82.4
41	F2	87.3
42	F#2	92.5
43	G2	98.0
44	G#2	103.8
45	A2	110.0
46	A#2	116.5
47	B2	123.5
48	C3	130.8
49	C#3	138.6
50	D3	146.8
51	D#3	155.6
52	E3	164.8
53	F3	174.6
54	F#3	185.0
55	G3	196.0
56	G#3	207.7
57	A3	220.0
58	A#3	233.1
59	B3	246.9
60	C4	261.6
61	C#4	277.2
62	D4	293.7
63	D#4	311.1
64	E4	329.6

MIDI note	ANSI note	Freq (Hz)
65	F4	349.2
66	F#4	370.0
67	G4	392.0
68	G#4	415.3
69	A4	440.0
70	A#4	466.2
71	B4	493.9
72	C5	523.3
73	C#5	554.4
74	D5	587.3
75	D#5	622.3
76	E5	659.3
77	F5	698.5
78	F#5	740.0
79	G5	784.0
80	G#5	830.6
81	A5	880.0
82	A#5	932.3
83	B5	987.8
84	C6	1046.5
85	C#6	1108.7
86	D6	1174.7
87	D#6	1244.5
88	E6	1318.5
89	F6	1396.9
90	F#6	1480.0
91	G6	1568.0
92	G#6	1661.2
93	A6	1760.0
94	A#6	1864.7
95	B6	1975.5
96	C7	2093.0
97	C#7	2217.5
98	D7	2349.3
99	D#7	2489.0
100	E7	2637.0
101	F7	2793.8
102	F#7	2960.0
103	G7	3136.0
104	G#7	3322.4
105	A7	3520.0
106	A#7	3729.3
107	B7	3951.1
108	C8	4186.0



**Document No.: FT\_000792**  
**FT800 Embedded Video Engine**  
**Datasheet Version 1.1**  
**Clearance No.: FTDI# 334**

### 4.6.2 Audio Playback

The FT800 can play back recorded sound through its audio output. To do this, load the original sound data into the FT800's RAM, and set registers to start the playback.

The registers controlling audio playback are:

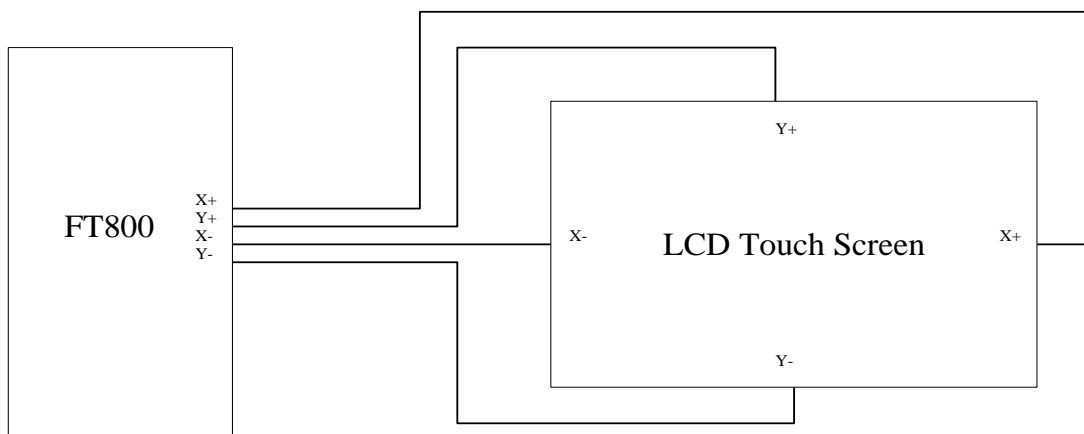
- REG\_PLAYBACK\_START: the start address of the audio data
- REG\_PLAYBACK\_LENGTH: the length of the audio data, in bytes
- REG\_PLAYBACK\_FREQ: the playback sampling frequency, in Hz
- REG\_PLAYBACK\_FORMAT: the playback format, one of LINEAR SAMPLES, uLAW SAMPLES, or ADPCM SAMPLES
- REG\_PLAYBACK\_LOOP: if zero, sample is played once. If one, sample is repeated indefinitely
- REG\_PLAYBACK\_PLAY: a write to this location triggers the start of audio playback, regardless of writing '0' or '1'. Read back '1' when playback is ongoing, and '0' when playback finishes
- REG\_VOL\_PB: playback volume, 0-255

The mono audio format supported is 8-bits PCM, 8-bits uLAW and 4-bits IMA-ADPCM. For ADPCM\_SAMPLES, each sample is 4 bits, so two samples are packed per byte, first sample is in bits 0-3 and the second is in bits 4-7.

The current audio playback read pointer can be queried by reading the REG\_PLAYBACK\_READPTR. Using a large sample buffer, looping, and this read pointer, the host MPU/MCU can supply a continuous stream of audio.

### 4.7 Touch-Screen Engine

The touch-screen consists of touch screen engine, ADC, Axis-switches, and ADC input multiplexer. The touch screen engine reads commands from the memory map register and generates the required control signals to the axis-switches and inputs mux and ADC. The ADC data are acquired and processed and update in the respective register for the MPU/MCU to read.



**Figure 4-6 Touch screen connection**



**Document No.: FT\_000792**  
**FT800 Embedded Video Engine**  
**Datasheet Version 1.1**  
**Clearance No.: FTDI# 334**

The host controls the TOUCH SCREEN ENGINE operation mode by writing the REG\_TOUCH\_MODE.

**Table 4-14 Touch Controller Operating Mode**

REG_TOUCH_MODE	Mode	Description
0	OFF	Acquisition stopped, only touch detection interrupt is still valid.
1	ONE-SHOT	Perform acquisition once every time MPU write '1' to REG_TOUCH_MODE.
2	FRAME-SYNC	Perform acquisition for every frame sync (~60 data acquisition/second).
3	CONTINUOUS	Perform acquisition continuously at approximately 1000 data acquisition / second.

The Touch Screen Engine captures the raw X and Y coordinate and writes to register REG\_TOUCH\_RAW XY. The range of these values is 0-1023. If the touch screen is not being pressed, both registers read 65535 (FFFFh).

These touch values are transformed into screen coordinates using the matrix in registers REG\_TOUCH\_TRANSFORM\_A-F. The post-transform coordinates are available in register REG\_TOUCH\_SCREEN\_XY. If the touch screen is not being pressed, both registers read -32768 (8000h). The values for REG TOUCH TRANSFORM A-F may be computed using an on-screen calibration process.

If the screen is being touched, the screen coordinates are looked up in the screen's tag buffer, delivering a final 8-bit tag value, in REG TOUCH TAG. Because the tag lookup takes a full frame, and touch coordinates change continuously, the original (x; y) used for the tag lookup is also available in REG\_TOUCH\_TAG\_XY.

Screen touch pressure is available in REG\_TOUCH\_RZ. The value is relative to the resistance of the touch contact, a lower value indicates more pressure. The register defaults to 32767 when touch is not detected. The REG\_TOUCH\_THRESHOLD can be set to accept a touch only when the force threshold is exceeded.

## 4.8 Power Management

### 4.8.1 Power supply

The FT800 may be operated with a single supply of 3.3V apply to VCC and VCCIO pins. For operation with host MPU/MCU at lower supply, connect the VCCIO to MPU power to match the interface power.

**Table 4-15 Power supply**

Symbol	Typical	Description
VCCIO	1.8V, or 2.5V, or 3.3V	Supply for Host interface digital I/O pad only, LCD RGB interface supply from VCC.
VCC	3.3V	Supply for chip



**Document No.:** FT\_000792  
**FT800 Embedded Video Engine**  
**Datasheet Version 1.1**  
**Clearance No.:** FTDI# 334

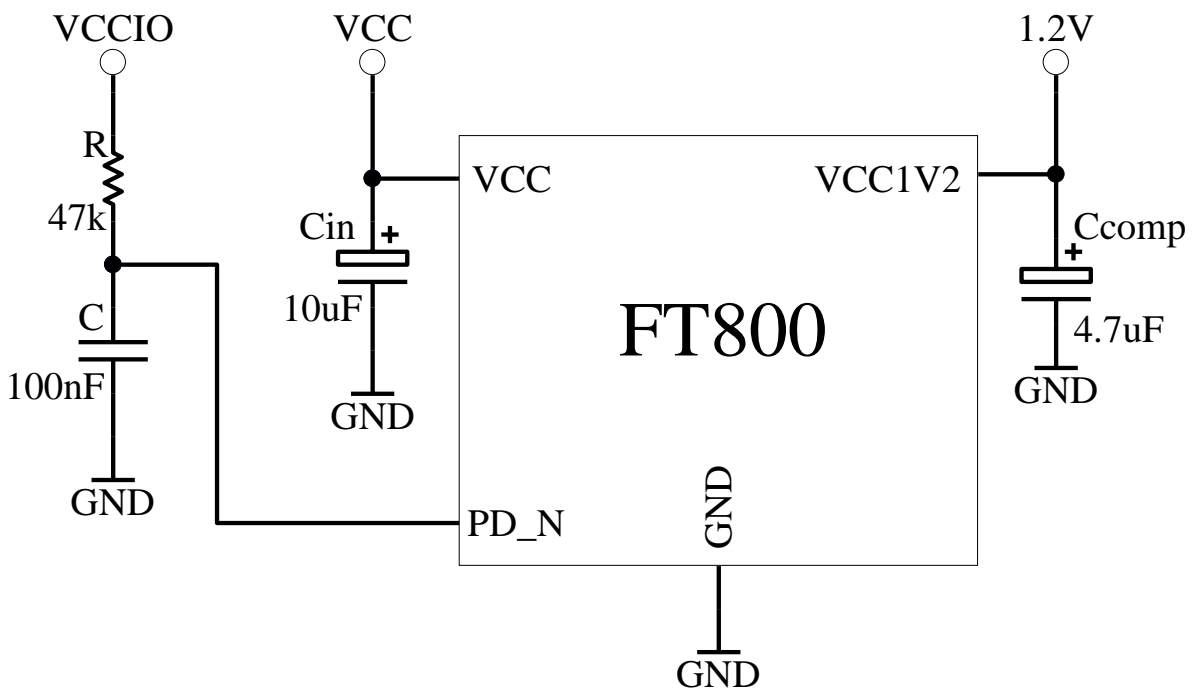
### 4.8.2 Internal Regulator and POR

The 1.2V internal regulator provides power to the core circuit. The regulator is disabled when device is in POWERDOWN state. Power down is activated either by the SCU command write or by holding down the PD\_N pin for at least 5mS to allow the 1.2V decoupling capacitor to discharge fully. The regulator is enabled only by releasing the PD\_N pin. A 47kΩ resistor is recommended to pull the PD\_N pin up to VCCIO, together with a 100nF capacitor to ground in order to delay the 1.2V regulator powering up after the VCC and VCCIO are stable.

The 1.2V internal regulator requires a compensation capacitor to be stable. A typical design puts a 4.7uF capacitor with ESR >0.5Ω is required between VCC1V2 to GND pins. Do not connect any load to this pin.

The 1.2V regulator will generate Power-On-Reset (POR) pulse when the output voltage rises above the POR threshold. The POR will reset all the core digital circuits.

It is possible to use PD\_N pin as an asynchronous hardware reset input. Drive PD\_N low for at least 5ms and then drive it high will reset the FT800 chip.



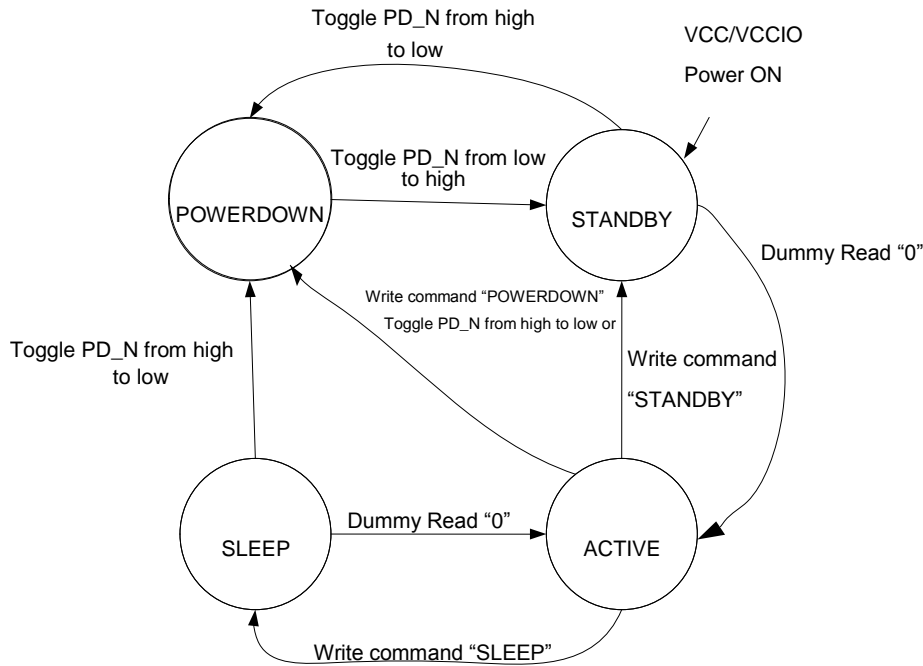
**Figure 4-7 1.2V regulator**





### 4.8.3 Power Modes

When supply to VCCIO and VCC is applied, internal 1.2V regulator is powered by VCC. An internal POR pulse will be generated during the regulator power up until it is stable. After the initial power up, the FT800 will stay in STANDBY state. When needed, host can set FT800 to ACTIVE state by performing a dummy read to address 0. The graphics engine, the audio engine and the touch engine are only functional in ACTIVE state. To save power host can send command to put FT800 into any of the low power mode: STANDBY, SLEEP and POWERDOWN. In addition, host is allowed to put FT800 in POWERDOWN mode by drive PD\_N pin to low, regardless what current state it is in. Refer to **Error! Reference source not found.**Figure 4-8 for the power state transitions.



**Figure 4-8 Power State Transition**



**Document No.: FT\_000792**  
**FT800 Embedded Video Engine**  
**Datasheet Version 1.1**  
**Clearance No.: FTDI# 334**

#### **4.8.3.1 ACTIVE state**

In ACTIVE state, the FT800 is in normal operation. The crystal oscillator and PLL are functioning. The system clock applied to the FT800 core engines is enabled.

#### **4.8.3.2 STANDBY state**

In STANDBY state, the crystal oscillator and PLL remain functioning; the system clock applied to the FT800 core engines is disabled. All register contents are retained.

#### **4.8.3.3 SLEEP state**

In SLEEP state, the crystal oscillator, PLL and system clock applied to the FT800 core engines are disabled. All register contents are retained.

#### **4.8.3.4 POWERDOWN state**

In POWERDOWN state, the internal 1.2V regulator supplying the core digital logic, the crystal oscillator, the PLL and the system clock applied to the FT800 core is disabled. All register contents are lost and reset to default when the chip is next switched on.

#### **4.8.3.5 Wake up to ACTIVE from other power states**

Wake up from POWERDOWN state requires the host to pull the PD\_N pin down and release, a low to high transition enables the 1.2V regulator. POR generated when 1.2V is stable and FT800 will switch to STANDBY mode after internal oscillator and PLL are up (maximum 20ms from PD\_N rising edge). The clock enable sequence mentioned in section 4.2.3 shall be executed to properly enable the system clock.

From SLEEP state, host MPU reads at memory address 0 to wake the FT800 into ACTIVE state. Host needs to wait for at least 20ms before accessing any registers or commands. This is to guarantee the crystal oscillator and PLL are up and stable.

From STANDBY state, host MPU reads at memory address 0 to wake the FT800 into ACTIVE state. Host can immediately access any register or command.



#### 4.8.3.6 Pin Status at Different Power States

The FT800 pin status depends on the power state of the chip. See the following table for more details. At power transition from ACTIVE to STANDBY or ACTIVE to SLEEP, all pins retain their previous status. The software needs to set AUDIO\_L, BACKLIGHT and PCLK to a known state before issuing power transition commands.

**Table 4-16 Pin Status**

Pin Name	Reset State (VCC / VCCIO ON)	Reset State (VCC / VCCIO ON) Default Output Drive Strength	Active/Standby/Sleep state (VCC / VCCIO ON)	Powerdown state (VCC ON / VCC1.2 OFF)	Hybrid Mode (VCC OFF / VCCIO ON)
AUDIO_L	Tristate Output (hi-Z)	16mA	Output	Retain previous state	
SPI_SCLK/ I2C_SCL	Input (floating)		Input		Input (floating)
MISO/I2C _SDA	Tristate Output (hi-Z)	4mA	Input/Output		Tristate Output (hi-Z)
MOSI/I2C _SA0	Input (floating)		Input		Input (floating)
CS_N/I2C _SA1	Input (floating)		Input		Input (floating)
GPIO0/I2C _SA2	Input (floating)		Input/Output		Tristate Output (hi-Z)
GPIO1	Tristate Output (hi-Z)	4mA	Input/Output		Tristate Output (hi-Z)
MODE	Input		Input		Input (floating)
INT_N	Open Drain Output (hi-Z)	4mA	Open Drain Output		Tristate Output (hi-Z)
PD_N	Input		Input		Input (floating)
X1/CLK	Input (floating)		Crystal Oscillator Input CLK Input		Note: If applicable, external clock on X1/CLK pin should be removed
X2	Output (hi-Z)		Crystal Oscillator Output		



**Document No.: FT\_000792**  
**FT800 Embedded Video Engine**  
**Datasheet Version 1.1**  
**Clearance No.: FTDI# 334**

Continued

Pin Name	Reset State (VCC/VCCIO ON)	Reset State (VCC/VCCIO ON) Default Output Drive	Active/Standby/Sleep state (VCC/VCCIO ON)	Powerdown state (VCC ON/VCC1.2 OFF)	Hybrid Mode (VCC OFF/VCCIO ON)
X+	Tristate Output (hi-Z)		Input/Output	Retain Previous State	
Y+	Tristate Output (hi-Z)		Input/Output	Retain Previous State	
X-	Tristate Output (hi-Z)		Input/Output	Retain Previous State	
Y-	Tristate Output (hi-Z)		Input/Output	Retain Previous State	
BACKLIGHT	Output	4mA	Output	Retain Previous State	
DE	Output	4mA	Output	Output Low	
VSYNC	Output	4mA	Output	Output Low	
HSYNC	Output	4mA	Output	Output Low	
DISP	Output	4mA	Output	Output Low	
PCLK	Output	4mA	Output	Output Low	
R(7:2), G(7:2), B(7:2)	Output	4mA	Output	Output Low	



**Document No.: FT\_000792**  
**FT800 Embedded Video Engine**  
**Datasheet Version 1.1**  
**Clearance No.: FTDI# 334**

## 5 FT800 Memory Map

All memory and registers in the FT800 core are memory mapped in 22-bits address space with 2-bits SPI/I2C command prefix. Prefix 0'b00 for read and 0'b10 for write to the address space, 0'b01 reserved for Host Commands and 0'b11 undefined. The following are the memory space defined.

**Table 5-1 FT800 Memory Map**

Start Address	End Address	Size	NAME	Description
00 0000h	03 FFFFh	256 kB	RAM_G	Main graphics RAM
0C 0000h	0C 0003h	4 B	ROM_CHIPID	FT800 chip identification and revision information: Byte [0:1] Chip ID: "0800" Byte [2:3] Version ID: "0100"
0B B23Ch	0F FFFBh	275 kB	ROM_FONT	Font table and bitmap
0F FFFCh	0F FFFFh	4 B	ROM_FONT_ADDR	Font table pointer address
10 0000h	10 1FFFh	8 kB	RAM_DL	Display List RAM
10 2000h	10 23FFh	1 kB	RAM_PAL	Palette RAM
10 2400h	10 257Fh	380 B	REG_*	Registers
10 8000 h	10 8FFFh	4 kB	RAM_CMD	Command Buffer

NOTE: The addresses beyond this table are reserved and shall not be read or written.



## 5.1 FT800 Registers

Table 5.1 shows the complete list of the FT800 registers. Refer to "FT800 Programmer Guide" (FTDI Doc FT\_000793) Chapter 2 for details of the register function.

**Table 5-2 Overview of FT800 Registers**

Address	Register Name	Bits	Access	Reset value	Description
102400h	REG_ID	8	r/o	7Ch	Identification register, always reads as 7Ch
102404h	REG_FRAMES	32	r/o	00000000h	Frame counter, since reset
102408h	REG_CLOCK	32	r/o	00000000h	Clock cycles, since reset
10240Ch	REG_FREQUENCY	27	r/w	02DC6C00h	Main clock frequency
102410h	REG_RENDERMODE	1	r/w	00h	Rendering mode: 0 = normal, 1 = single-line
102414h	REG_SNAPY	9	r/w	00h	Scan line select for RENDERMODE 1
102418h	REG_SNAPSHOT	1	r/o	-	trigger for RENDERMODE 1
10241Ch	REG_CPURESET	1	r/w	00h	Graphics, audio and touch engines reset control
102420h	REG_TAP_CRC	32	r/o	-	Live video tap crc. Frame CRC is computed every DL SWAP.
102424h	REG_TAP_MASK	32	r/w	FFFFFFFFh	Live video tap mask
102428h	REG_HCYCLE	10	r/w	224h	Horizontal total cycle count
10242Ch	REG_HOFFSET	10	r/w	02Bh	Horizontal display start offset
102430h	REG_HSIZE	10	r/w	1E0h	Horizontal display pixel count
102434h	REG_HSYNC0	10	r/w	000h	Horizontal sync fall offset
102438h	REG_HSYNC1	10	r/w	029h	Horizontal sync rise offset
10243Ch	REG_VCYCLE	10	r/w	124h	Vertical total cycle count
102440h	REG_VOFFSET	10	r/w	00Ch	Vertical display start offset
102444h	REG_VSIZE	10	r/w	110h	Vertical display line count
102448h	REG_VSYNC0	10	r/w	000h	Vertical sync fall offset
10244Ch	REG_VSYNC1	10	r/w	00Ah	Vertical sync rise offset
102450h	REG_DLSWAP	2	r/w	00h	Display list swap control
102454h	REG_ROTATE	1	r/w	00h	Screen 180 degree rotate
102458h	REG_OUTBITS	9	r/w	1B6h	Output bit resolution, 3x3x3 bits



**Document No.: FT\_000792**  
**FT800 Embedded Video Engine**  
**Datasheet Version 1.1**  
**Clearance No.: FTDI# 334**

Address	Register Name	Bits	Access	Reset value	Description
10245Ch	REG_DITHER	1	r/w	1	Output dither enable
102460h	REG_SWIZZLE	4	r/w	00h	Output RGB signal swizzle
102464h	REG_CSPREAD	1	r/w	1	Output clock spreading enable
102468h	REG_PCLK_POL	1	r/w	0	PCLK polarity: 0 = output on PCLK rising edge, 1 = output on PCLK falling edge
10246Ch	REG_PCLK	8	r/w	00h	PCLK frequency divider, 0 = disable
102470h	REG_TAG_X	9	r/w	000h	Tag query X coordinate
102474h	REG_TAG_Y	9	r/w	000h	Tag query Y coordinate
102478h	REG_TAG	8	r/o	00h	Tag query result
10247Ch	REG_VOL_PB	8	r/w	FFh	Volume for playback
102480h	REG_VOL_SOUND	8	r/w	FFh	Volume for synthesizer sound
102484h	REG_SOUND	16	r/w	0000h	Sound effect select
102488h	REG_PLAY	1	r/w	0h	Start effect playback
10248Ch	REG_GPIO_DIR	8	r/w	80h	GPIO pin direction, 0 = input , 1 = output
102490h	REG_GPIO	8	r/w	00h	GPIO pin value (bit 0,1,7); output pin drive strength(bit 2-6)
102494h	Reserved	-	-	-	Reserved
102498h	REG_INT_FLAGS	8	r/o	00h	Interrupt flags, clear by read
10249Ch	REG_INT_EN	1	r/w	0h	Global interrupt enable
1024A0h	REG_INT_MASK	8	r/w	FFh	Interrupt enable mask
1024A4h	REG_PLAYBACK_START	20	r/w	00000h	Audio playback RAM start address
1024A8h	REG_PLAYBACK_LENGTH	20	r/w	00000h	Audio playback sample length (bytes)
1024ACh	REG_PLAYBACK_READPTR	20	r/o	-	Audio playback current read pointer
1024B0h	REG_PLAYBACK_FREQ	16	r/w	1F40h	Audio playback sampling frequency (Hz)
1024B4h	REG_PLAYBACK_FORMAT	2	r/w	0h	Audio playback format
1024B8h	REG_PLAYBACK_LOOP	1	r/w	0h	Audio playback loop enable



**Document No.: FT\_000792**  
**FT800 Embedded Video Engine**  
**Datasheet Version 1.1**  
**Clearance No.: FTDI# 334**

Address	Register Name	Bits	Access	Reset value	Description
1024BCh	REG_PLAYBACK_PLAY	1	r/o	0h	Start audio playback
1024C0h	REG_PWM_HZ	14	r/w	00FAh	BACKLIGHT PWM output frequency (Hz)
1024C4h	REG_PWM_DUTY	8	r/w	80h	BACKLIGHT PWM output duty cycle 0=0%, 128=100%
1024C8h	REG_MACRO_0	32	r/w	00000000h	Display list macro command 0
1024CCh	REG_MACRO_1	32	r/w	00000000h	Display list macro command 1
1024D0h - 1024E0h	Reserved	-	-	-	Reserved
1024E4h	REG_CMD_READ	12	r/w	000h	Command buffer read pointer
1024E8h	REG_CMD_WRITE	12	r/w	000h	Command buffer write pointer
1024ECh	REG_CMD_DL	13	r/w	0000h	Command display list offset
1024F0h	REG_TOUCH_MODE	2	r/w	3h	Touch-screen sampling mode
1024F4h	REG_TOUCH_ADC_MODE	1	r/w	1h	Select single ended (low power) or differential (accurate) sampling
1024F8h	REG_TOUCH_CHARGE	16	r/w	1770h	Touch-screen charge time, units of 6 clocks
1024FCh	REG_TOUCH_SETTLE	4	r/w	3h	Touch-screen settle time, units of 6 clocks
102500h	REG_TOUCH_OVERSAMPLE	4	r/w	7h	Touch-screen oversample factor
102504h	REG_TOUCH_RZTHRESH	16	r/w	FFFFh	Touch-screen resistance threshold
102508h	REG_TOUCH_RAW_XY	32	r/o	-	Touch-screen raw (x-MSB16; y-LSB16)
10250Ch	REG_TOUCH_RZ	16	r/o	-	Touch-screen resistance
102510h	REG_TOUCH_SCREEN_XY	32	r/o	-	Touch-screen screen (x-MSB16; y-LSB16)
102514h	REG_TOUCH_TAG_XY	32	r/o	-	Touch-screen screen (x-MSB16; y-LSB16) used for tag lookup
102518h	REG_TOUCH_TAG	8	r/o	-	Touch-screen tag result
10251Ch	REG_TOUCH_TRANSFORM_A	32	r/w	00010000h	Touch-screen transform coefficient (s15.16)





**Document No.: FT\_000792**  
**FT800 Embedded Video Engine**  
**Datasheet Version 1.1**  
**Clearance No.: FTDI# 334**

Address	Register Name	Bits	Access	Reset value	Description
102520h	REG_TOUCH_TRANSFORM_B	32	r/w	00000000h	Touch-screen transform coefficient (s15.16)
102524h	REG_TOUCH_TRANSFORM_C	32	r/w	00000000h	Touch-screen transform coefficient (s15.16)
102528h	REG_TOUCH_TRANSFORM_D	32	r/w	00000000h	Touch-screen transform coefficient (s15.16)
10252Ch	REG_TOUCH_TRANSFORM_E	32	r/w	00010000h	Touch-screen transform coefficient (s15.16)
102530h	REG_TOUCH_TRANSFORM_F	32	r/w	00000000h	Touch-screen transform coefficient (s15.16)
102534h - 102470h	Reserved	-	-	-	Reserved
102574h	REG_TOUCH_DIRECT_X Y	32	r/o	-	Touch screen direct (x-MSB16; y-LSB16) conversions
102578h	REG_TOUCH_DIRECT_Z 1Z2	32	r/o	-	Touch screen direct (z1-MSB16; z2-LSB16) conversions
109000h	REG_TRACKER	32	r/w	00000000h	Track register (Track value – MSB16; Tag value - LSB8)

Note: All register addresses are 4-byte aligned. The value in "Bits" column refers to the number of valid bits from bit 0 unless otherwise specified; other bits are reserved.



**Document No.: FT\_000792**  
**FT800 Embedded Video Engine**  
**Datasheet Version 1.1**  
**Clearance No.: FTDI# 334**

## 6 Devices Characteristics and Ratings

### 6.1 Absolute Maximum Ratings

The absolute maximum ratings for the FT800 device are as follows. These are in accordance with the Absolute Maximum Rating System (IEC 60134). Exceeding these may cause permanent damage to the device.

**Table 6-1 Absolute Maximum Ratings**

Parameter	Value	Unit
Storage Temperature	-65 to +150	°C
Floor Life (Out of Bag) At Factory Ambient (30°C / 60% Relative Humidity)	168 (IPC/JEDEC J-STD-033A MSL Level 3 Compliant)*	Hours
Ambient Temperature (Power Applied)	-40 to +85	°C
VCC Supply Voltage	0 to +4	V
VCCIO Supply Voltage	0 to +4	V
DC Input Voltage	-0.5 to + (VCCIO + 0.3)	V

\* If the devices are stored out of the packaging, beyond this time limit, the devices should be baked before use. The devices should be ramped up to a temperature of +125°C and baked for up to 17 hours.



Document No.: FT\_000792  
 FT800 Embedded Video Engine  
 Datasheet Version 1.1  
 Clearance No.: FTDI# 334

## 6.2 DC Characteristics

**Table 6-2 Operating Voltage and Current**  
 (Ambient Temperature = -40°C to +85°C)

Parameter	Description	Minimum	Typical	Maximum	Units	Conditions
VCCIO	VCCIO operating supply voltage	1.62	1.80	1.98	V	Normal Operation
		2.25	2.50	2.75	V	
		2.97	3.30	3.63	V	
VCC	VCC operating supply voltage	2.97	3.30	3.63	V	Normal Operation
Icc1	Power Down current	-	1.0	-	μA	Power down mode
Icc2	Sleep current	-	250	-	μA	Sleep Mode
Icc3	Standby current	-	1.5	-	mA	Standby Mode
Icc4	Operating current	-	24	-	mA	Normal Operation
VCC1V2	Regulator Output voltage	-	1.20	-	V	Normal Operation

**Table 6-3 Digital I/O Pin Characteristics (VCC/VCCIO = +3.3V, Standard Drive Level)**

Parameter	Description	Minimum	Typical	Maximum	Units	Conditions
Voh	Output Voltage High	2.4	-	-	V	Ioh=4mA
Vol	Output Voltage Low	-	-	0.4	V	Iol=4mA
Vih	Input High Voltage	2.0	-	-	V	
Vil	Input Low Voltage	-	-	0.8	V	
Vth	Schmitt Hysteresis Voltage	0.3	0.45	0.5	V	
Iin	Input leakage current	-10	-	10	μA	Vin = VCCIO or 0
Ioz	Tri-state output leakage current	-10	-	10	μA	Vin = VCCIO or 0



Document No.: FT\_000792  
 FT800 Embedded Video Engine  
 Datasheet Version 1.1  
 Clearance No.: FTDI# 334

**Table 6-4 Digital I/O Pin Characteristics (VCCIO = +2.5V, Standard Drive Level)**

Parameter	Description	Minimum	Typical	Maximum	Units	Conditions
Voh	Output Voltage High	VCCIO-0.4	-	-	V	Ioh=4mA
Vol	Output Voltage Low	-	-	0.4	V	Iol=4mA
Vih	Input High Voltage	0.7 X VCCIO	-	-	V	-
Vil	Input Low Voltage	-	-	0.3 X VCCIO	V	-
Vth	Schmitt Hysteresis Voltage	0.28	0.39	0.5	V	-
Iin	Input leakage current	-10	-	10	uA	Vin = VCCIO or 0
Ioz	Tri-state output leakage current	-10	-	10	uA	Vin = VCCIO or 0

**Table 6-5 Digital I/O Pin Characteristics (VCCIO = +1.8V, Standard Drive Level)**

Parameter	Description	Minimum	Typical	Maximum	Units	Conditions
Voh	Output Voltage High	VCCIO-0.4	-	-	V	Ioh=4mA
Vol	Output Voltage Low	-	-	0.4	V	Iol=4mA
Vih	Input High Voltage	0.7 X VCCIO	-	-	V	-
Vil	Input Low Voltage	-	-	0.3 X VCCIO	V	-
Vth	Schmitt Hysteresis Voltage	0.25	0.35	0.5	V	-
Iin	Input leakage current	-10	-	10	uA	Vin = VCCIO or 0
Ioz	Tri-state output leakage current	-10	-	10	uA	Vin = VCCIO or 0



### 6.3 Touch Sense Characteristics

**Table 6-6 Touch Sense Characteristics (VCC=3.3V)**

Parameter	Description	Minimum	Typical	Maximum	Units	Conditions
Rsw-on	X-,X+,Y- and Y+ Drive On resistance	-	5	10	Ω	
Rsw-off	X-,X+,Y- and Y+ Drive Off resistance	10M	-	-	Ω	
Rpu	Touch sense pull up resistance	72k	100k	128k	Ω	
Vth+	Touch Detection rising-edge threshold level	1.53	1.7	1.87	V	
Vth-	Touch Detection falling-edge threshold level	1.17	1.3	-1.47	V	
Vhys	Touch Detection Hysteresis	0.36	0.39	0.4	V	
RI	X-axis and Y-axis drive load resistance	200	-	-	Ω	

**Table 6-7 ADC Characteristics (VCC=3.3V)**

Description	Minimum	Typical	Maximum	Units	Conditions
ADC Resolution	-	10	-	bits	
Integral Nonlinearity	-	+/-1	-	LSB	
Differential Nonlinearity	-	+/-0.5	-	LSB	
Offset Error	-	+/-2	-	LSB	



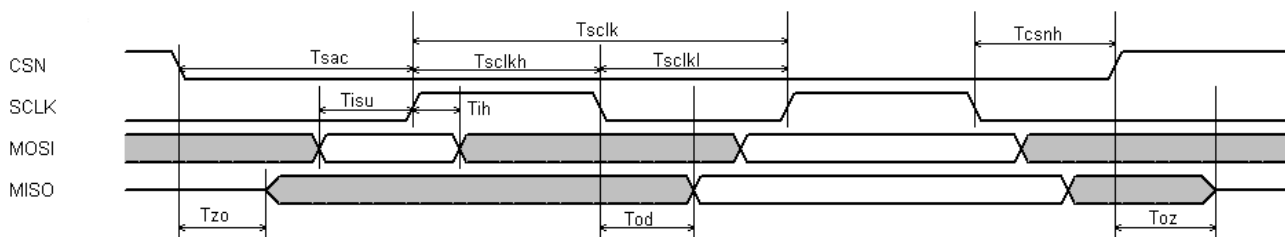
## 6.4 AC Characteristics

### 6.4.1 System clock

**Table 6-8 System clock characteristics (Ambient Temperature = -40°C to +85°C)**

Parameter	Value			Unit
	Minimum	Typical	Maximum	
Crystal				
Frequency	-	12.000	-	MHz
X1/X2 Capacitance	-	5	10	pF
External clock input				
Frequency	-	12.000	-	MHz
Duty cycle	45	50	55	%
Input voltage on X1/CLKIN	-	3.3	-	Vp-p

### 6.4.2 Host Interface SPI Mode 0



**Figure 6-1 SPI Interface Timing**



Document No.: FT\_000792  
 FT800 Embedded Video Engine  
 Datasheet Version 1.1  
 Clearance No.: FTDI# 334

**Table 6-9 SPI Interface Timing Specification**

Parameter	Description	VCC(I/O)=1.8V		VCC(I/O)=2.5V		VCC(I/O)=3.3V		Unit
		Min	Max	Min	Max	Min	Max	
Tsclk	SPI clock period	60	-	40	-	33	-	ns
Tsckl	SPI clock low duration	25	-	16	-	13	-	ns
Tsckh	SPI clock high duration	25	-	16	-	13	-	ns
Tsac	SPI access time	16	-	16	-	16	-	ns
Tisu	Input Setup	12	-	11	-	11	-	ns
Tih	Input Hold	3	-	3	-	3	-	ns
Tzo	Output enable delay	0	30	0	20	0	16	ns
Toz	Output disable delay	0	30	0	20	0	16	ns
Tod	Output data delay	0	24	0	15	0	12	ns
Tcsnh	CSN hold time	0	-	0	-	0	-	ns

### 6.4.3 Host Interface I2C Mode Timing

**Table 6-10 I2C Interface Timing**

Parameter	Description	Standard-mode		Fast-mode		Fast-plus mode		High speed mode		Unit
		Min	Max	Min	Max	Min	Max	Min	Max	
Fscl	I2C SCL clock frequency	0	100	0	400	0	1000	0	3400	kHz
Tscll	clock low period	4.7	-	1.3	-	0.5	-	0.16	-	μs
Tsclh	clock high period	4.0	-	0.6	-	0.26	-	0.06	-	μs
Tsu	Data setup time	250	-	100	-	50	-	10	-	ns
Thd	Data hold time	0	-	0	-	0	-	0	70	ns
Tr	Rise time	-	1000	-	300	-	120	10	40	ns
Tf	Fall time	-	300	-	300	-	120	10	40	ns



Document No.: FT\_000792  
 FT800 Embedded Video Engine  
 Datasheet Version 1.1  
 Clearance No.: FTDI# 334

## 6.4.4 RGB Video Timing

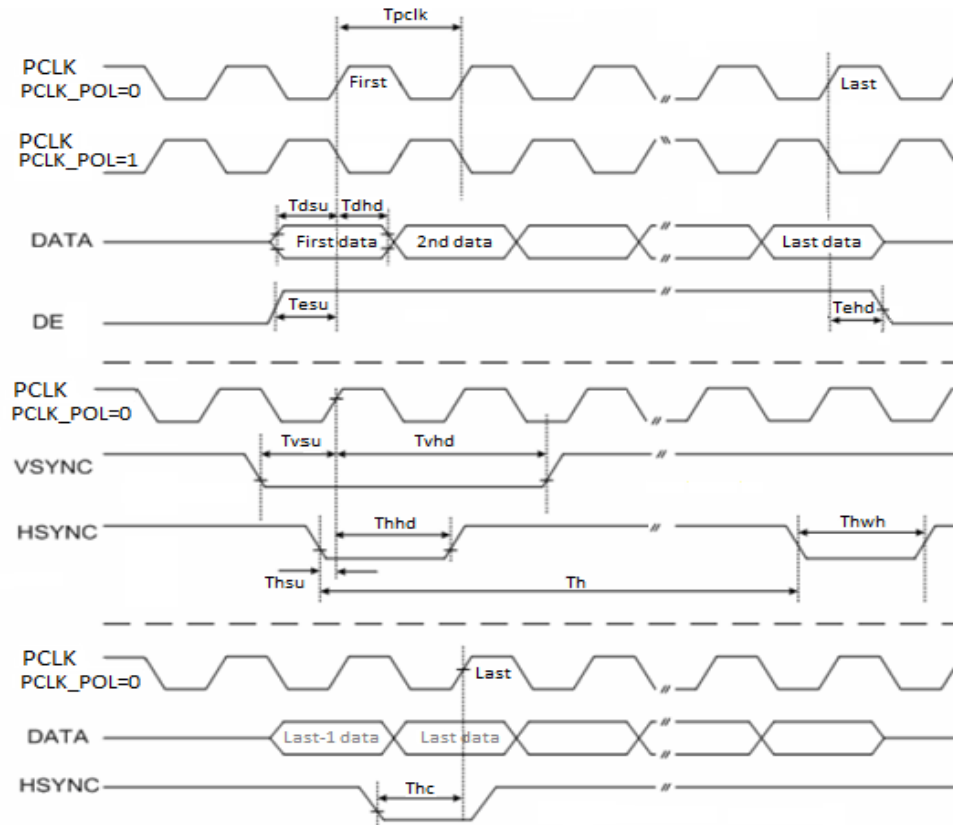
Table 6-11 RGB Video timing characteristics

Parameter	Description	VCC=3.3V			Unit
		Min	Typ	Max	
Tpclk	Pixel Clock period	78	104	-	ns
Tpclkdc	Pixel Clock duty cycle	40	-	60	%
Thc	Hsync to Clock	30	-	-	ns
Thwh	HSYNC width (REG_HSYNC1-REG_HSYNC0)	1	41	-	Tpclk
Tvwh	VSYNC width (REG_VSYNC1-REG_VSYNC0)	1	10	-	Th
Th	HSYNC Cycle (REG_HCYCLE)	-	525	-	Tpclk
Tvsu	VSYNC setup	30	-	-	ns
Tvhd	VSYNC hold	10	-	-	ns
Thsu	HSYNC setup	30	-	-	ns
Thhd	HSYNC hold	10	-	-	ns
Tdsu	DATA setup	20	-	-	ns
Tdhd	DATA hold	10	-	-	ns
Tesu	DE setup	30	-	-	ns
Tehd	DE hold	10	-	-	ns





**Document No.:** FT\_000792  
**FT800 Embedded Video Engine**  
**Datasheet Version 1.1**  
**Clearance No.:** FTDI# 334



**Figure 6-2 RGB Video Signal Timing**



Document No.: FT\_000792  
 FT800 Embedded Video Engine  
 Datasheet Version 1.1  
 Clearance No.: FTDI# 334

## 7 Application Examples

### 7.1 Examples of LCD Interface connection

Reference design for 3.3 V IO Interface

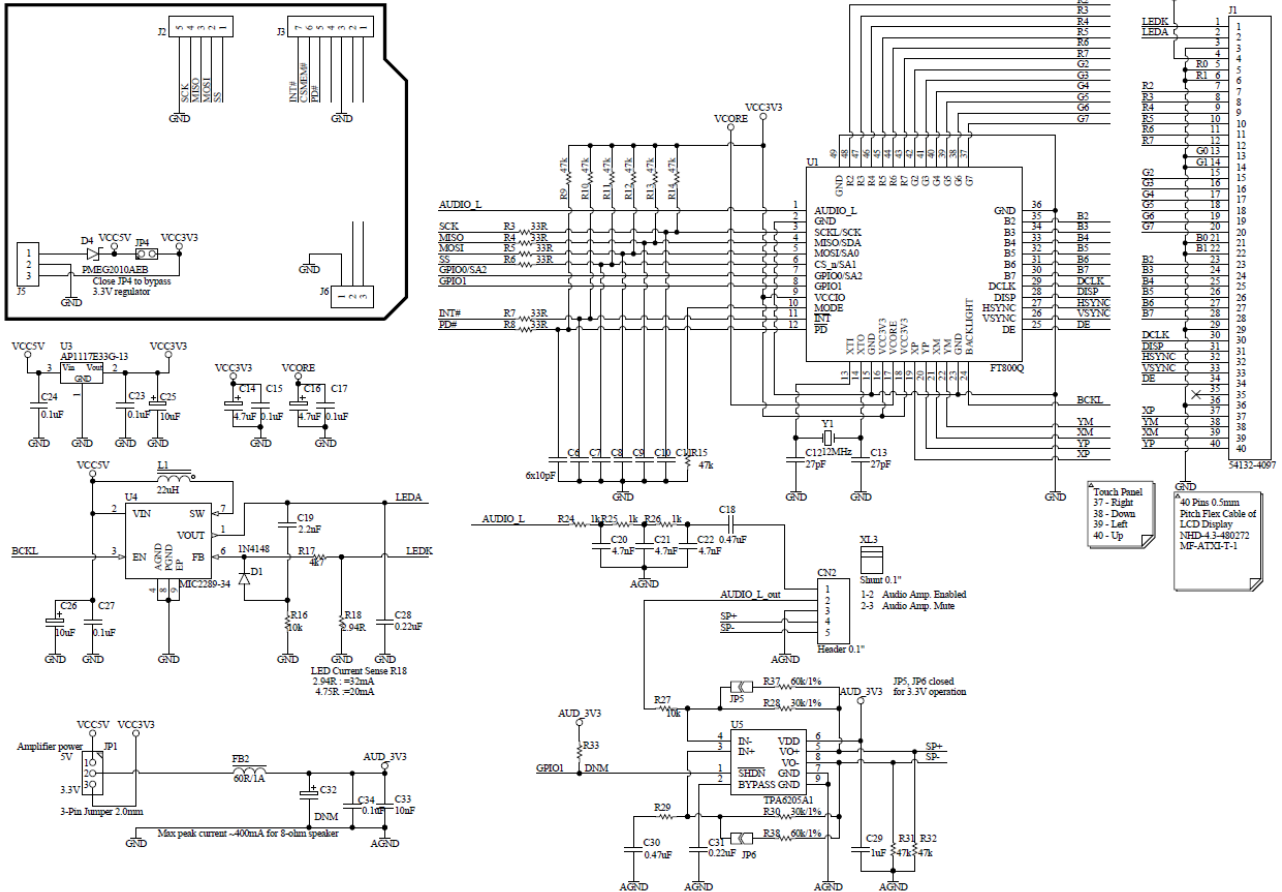


Figure 7-1 FT800 Reference Design Schematic

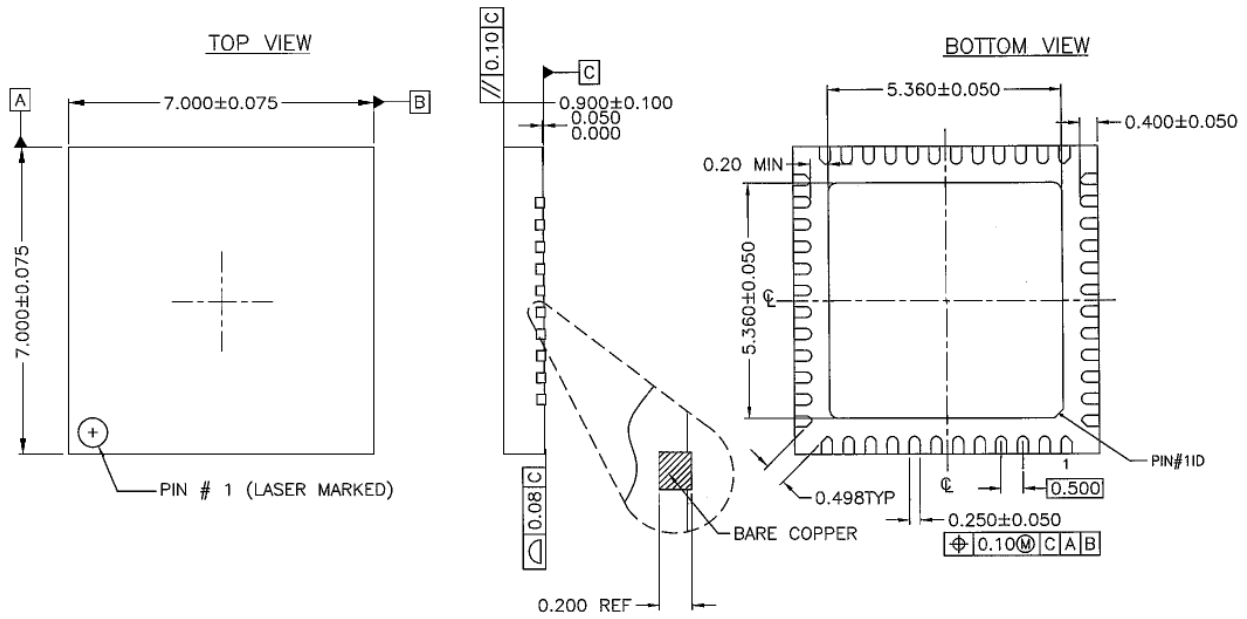


**Document No.:** FT\_000792  
**FT800 Embedded Video Engine**  
**Datasheet Version 1.1**  
**Clearance No.:** FTDI# 334

## 8 Package Parameters

The FT800 is available in VQFN-48 package. The solder reflow profile for all packages is described in following sections.

### 8.1 VQFN-48 Package Dimensions

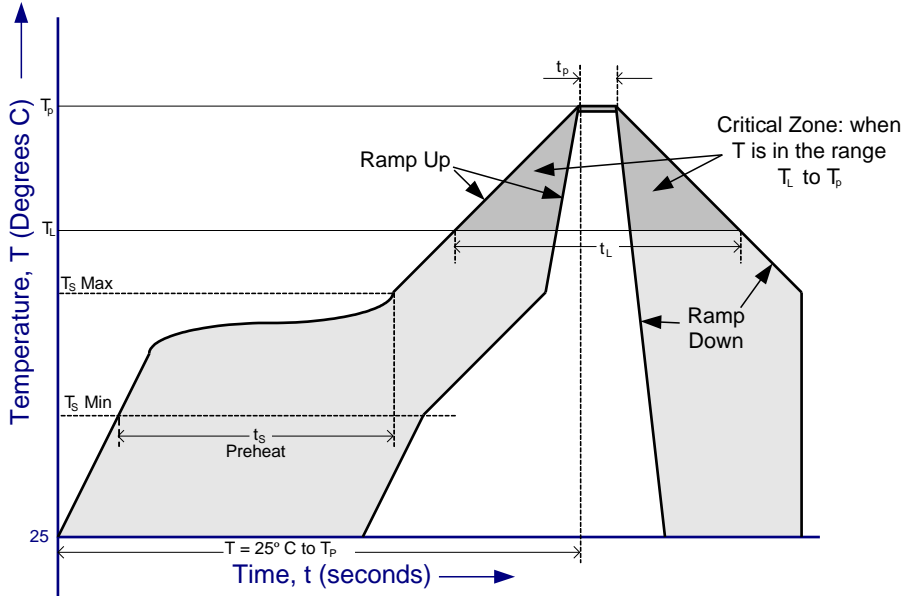


**Figure 8-1 VQFN-48 Package Dimensions**



## 8.2 Solder Reflow Profile

The FT800 is supplied in a Pb free VQFN-48 package. The recommended solder reflow profile for the package is shown in Figure 8-2.



**Figure 8-2 FT800 Solder Reflow Profile**

The recommended values for the solder reflow profile are detailed in **Error! Reference source not found..** Values are shown for both a completely Pb free solder process (i.e. the FT800 is used with Pb free solder), and for a non-Pb free solder process (i.e. the FT800 is used with non-Pb free solder).

Table 8-1 Reflow Profile Parameter Values

Profile Feature	Pb Free Solder Process	Non-Pb Free Solder Process
Average Ramp Up Rate (T <sub>s</sub> to T <sub>p</sub> )	3°C / second Max.	3°C / Second Max.
Preheat		
- Temperature Min (T <sub>s</sub> Min.)	150°C	100°C
- Temperature Max (T <sub>s</sub> Max.)	200°C	150°C
- Time (t <sub>s</sub> Min to t <sub>s</sub> Max)	60 to 120 seconds	60 to 120 seconds
Time Maintained Above Critical Temperature		
T <sub>L</sub> :		
- Temperature (T <sub>L</sub> )	217°C	183°C
- Time (t <sub>L</sub> )	60 to 150 seconds	60 to 150 seconds
Peak Temperature (T <sub>p</sub> )	260°C	240°C
Time within 5°C of actual Peak Temperature (t <sub>p</sub> )	20 to 40 seconds	20 to 40 seconds
Ramp Down Rate	6°C / second Max.	6°C / second Max.
Time for T= 25°C to Peak Temperature, T <sub>p</sub>	8 minutes Max.	6 minutes Max.



Document No.: FT\_000792  
FT800 Embedded Video Engine  
Datasheet Version 1.1  
Clearance No.: FTDI# 334

## 9 FTDI Chip Contact Information

### Head Office – Glasgow, UK

Unit 1, 2 Seaward Place, Centurion Business Park  
Glasgow G41 1HH  
United Kingdom  
Tel: +44 (0) 141 429 2777  
Fax: +44 (0) 141 429 2758

E-mail (Sales) [sales1@ftdichip.com](mailto:sales1@ftdichip.com)  
E-mail (Support) [support1@ftdichip.com](mailto:support1@ftdichip.com)  
E-mail (General Enquiries) [admin1@ftdichip.com](mailto:admin1@ftdichip.com)

### Branch Office – Tigard, Oregon, USA

7130 SW Fir Loop  
Tigard, OR 97223  
USA  
Tel: +1 (503) 547 0988  
Fax: +1 (503) 547 0987

E-Mail (Sales) [us.sales@ftdichip.com](mailto:us.sales@ftdichip.com)  
E-Mail (Support) [us.support@ftdichip.com](mailto:us.support@ftdichip.com)  
E-Mail (General Enquiries) [us.admin@ftdichip.com](mailto:us.admin@ftdichip.com)

### Branch Office – Taipei, Taiwan

2F, No. 516, Sec. 1, NeiHu Road  
Taipei 114  
Taiwan, R.O.C.  
Tel: +886 (0) 2 8797 1330  
Fax: +886 (0) 2 8751 9737

E-mail (Sales) [tw.sales1@ftdichip.com](mailto:tw.sales1@ftdichip.com)  
E-mail (Support) [tw.support1@ftdichip.com](mailto:tw.support1@ftdichip.com)  
E-mail (General Enquiries) [tw.admin1@ftdichip.com](mailto:tw.admin1@ftdichip.com)

### Branch Office – Shanghai, China

Room 1103, No. 666 West Huaihai Road,  
Changning District  
Shanghai, 200052  
China  
Tel: +86 21 62351596  
Fax: +86 21 62351595

E-mail (Sales) [cn.sales@ftdichip.com](mailto:cn.sales@ftdichip.com)  
E-mail (Support) [cn.support@ftdichip.com](mailto:cn.support@ftdichip.com)  
E-mail (General Enquiries) [cn.admin@ftdichip.com](mailto:cn.admin@ftdichip.com)

### Web Site

<http://www.ftdichip.com>

System and equipment manufacturers and designers are responsible to ensure that their systems, and any Future Technology Devices International Ltd (FTDI) devices incorporated in their systems, meet all applicable safety, regulatory and system-level performance requirements. All application-related information in this document (including application descriptions, suggested FTDI devices and other materials) is provided for reference only. While FTDI has taken care to assure it is accurate, this information is subject to customer confirmation, and FTDI disclaims all liability for system designs and for any applications assistance provided by FTDI. Use of FTDI devices in life support and/or safety applications is entirely at the user's risk, and the user agrees to defend, indemnify and hold harmless FTDI from any and all damages, claims, suits or expense resulting from such use. This document is subject to change without notice. No freedom to use patents or other intellectual property rights is implied by the publication of this document. Neither the whole nor any part of the information contained in, or the product described in this document, may be adapted or reproduced in any material or electronic form without the prior written consent of the copyright holder. Future Technology Devices International Ltd, Unit 1, 2 Seaward Place, Centurion Business Park, Glasgow G41 1HH, United Kingdom. Scotland Registered Company Number: SC136640



Document No.: FT\_000792  
FT800 Embedded Video Engine  
Datasheet Version 1.1  
Clearance No.: FTDI# 334

---

## Appendix A – References

### Useful Application Notes

## Appendix B - List of Figures and Tables

### List of Figures

Figure 2-1 FT800 Block Diagram .....	4
Figure 2-2 FT800 System Design Diagram .....	4
Figure 4-1 Host Interface Options .....	14
Figure 4-2 SPI Interface 1.8-3.3V connection .....	15
Figure 4-3 SPI Interface 5V connection.....	15
Figure 4-4 Crstal oscillator connection .....	19
Figure 4-5 External Clock Input .....	20
Figure 4-6 Touch screen connection .....	29
Figure 4-7 1.2V regulator .....	31
Figure 4-8 Power State Transition .....	32
Figure 6-1 SPI Interface Timing .....	45
Figure 6-2 RGB Video Signal Timing .....	48
Figure 7-1 FT800 Reference Design Schematic .....	49
Figure 8-1 VQFN-48 Package Dimensions .....	50
Figure 8-2 FT800 Solder Reflow Profile .....	51



**Document No.: FT\_000792**  
**FT800 Embedded Video Engine**  
**Datasheet Version 1.1**  
**Clearance No.: FTDI# 334**

**List of Tables**

Table 3-1 FT800Q pin description.....	9
Table 4-1 Host memory read transaction (SPI) .....	16
Table 4-2 Host memory write transaction (SPI) .....	17
Table 4-3 Host command transaction (SPI) .....	18
Table 4-4 Host Command Table.....	18
Table 4-5 Interrupt Flags bit assignment .....	19
Table 4-6 Font table format .....	21
Table 4-7 ROM font table .....	22
Table 4-8 ROM font character width (1) .....	22
Table 4-9 ROM font character width (2) .....	23
Table 4-10 REG_SWIZZLE RGB Pins Mapping .....	25
Table 4-11 Output drive current selection .....	26
Table 4-12 Sound Effect .....	27
Table 4-13 MIDI Note Effect.....	28
Table 4-14 Touch Controller Operating Mode.....	30
Table 4-16 Pin Status.....	34
Table 5-1 FT800 Memory Map .....	36
Table 5-2 Overview of FT800 Registers.....	37
Table 6-1 Absolute Maximum Ratings.....	41
Table 6-2 Operating Voltage and Current .....	42
Table 6-3 Digital I/O Pin Characteristics (VCC/VCCIO = +3.3V, Standard Drive Level).....	42
Table 6-4 Digital I/O Pin Characteristics (VCCIO = +2.5V, Standard Drive Level).....	43
Table 6-5 Digital I/O Pin Characteristics (VCCIO = +1.8V, Standard Drive Level).....	43
Table 6-6 Touch Sense Characteristics (VCC=3.3V) .....	44
Table 6-7 ADC Characteristics (VCC=3.3V) .....	44
Table 6-8 System clock characteristics (Ambient Temperature = -40°C to +85°C).....	45
Table 6-9 SPI Interface Timing Specification .....	46
Table 6-10 I2C Interface Timing .....	46
Table 6-11 RGB Video timing characteristics .....	47



**Document No.: FT\_000792**  
**FT800 Embedded Video Engine**  
**Datasheet Version 1.1**  
**Clearance No.: FTDI# 334**

---

## Appendix C - Revision History

Document Title: FT800 Embedded Video Engine Datasheet  
Document Reference No.: FT\_000792  
Clearance No.: FTDI# 334  
Product Page: <http://www.ftdichip.com/EVE.htm>  
Document Feedback: [DS\\_FT800](#)

<b>Version 1.0</b>	Initial Release	18 July 2013
<b>Version 1.1</b>	2 <sup>nd</sup> release	28 August 2013