

Excellent Integrated System Limited

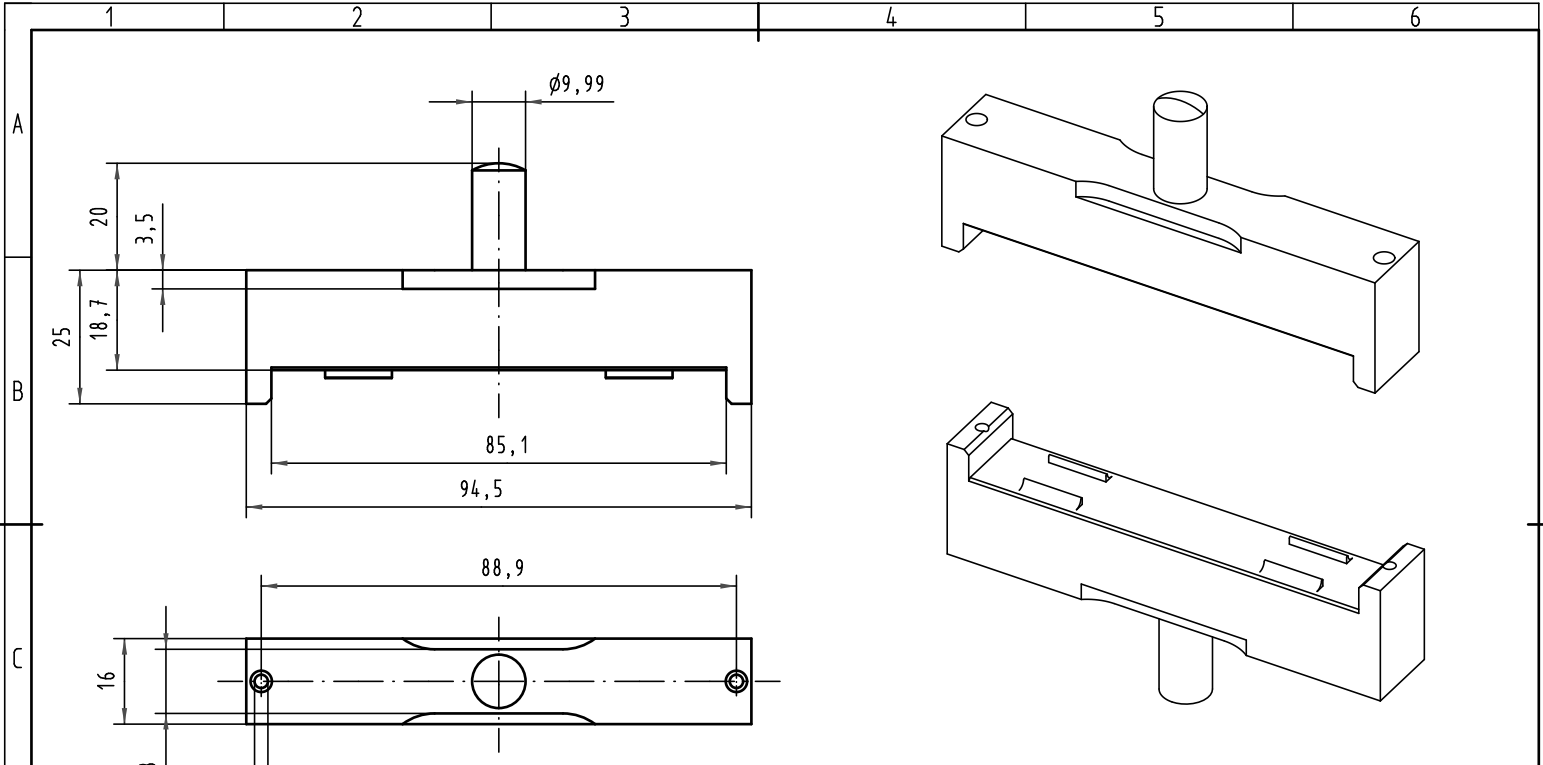
Stocking Distributor

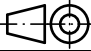

Click to view price, real time Inventory, Delivery & Lifecycle Information:

[Harting](#)
[02990000016](#)

For any questions, you can email us directly:
sales@integrated-circuit.com

Alle Rechte vorbehalten/ All rights reserved



 All Dimensions in mm Original Size DIN A 4			Techn. Character.			Nicht tolerierte Maß/Free size tolerances	
			Detail.	13.08.08	Wae	Maßstab/Scale 1:1	Eindrueckstempel, umfassend <i>Top tool, encompassed</i> har-bus 64
Insp.	13.08.08	Hä					
Stand.							
35245	HARTING Electronics GmbH & Co. KG				TB 02 99 000 0016		
Mod.	Dat.	Name			D-32339 ESPELKAMP	Sub.	Blatt/ page