

## Excellent Integrated System Limited

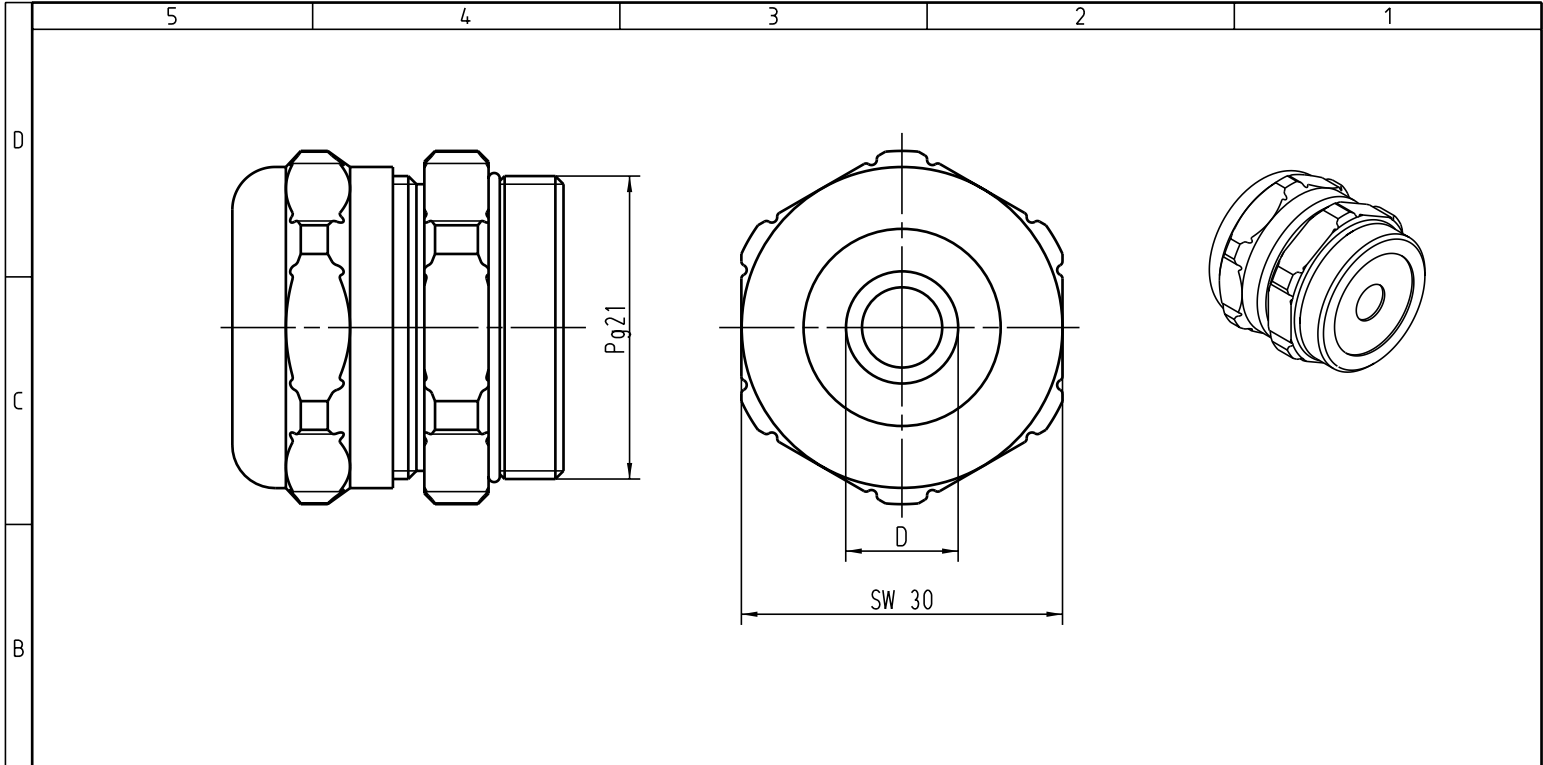
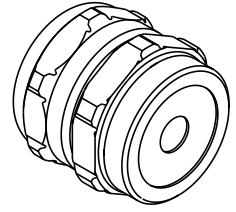
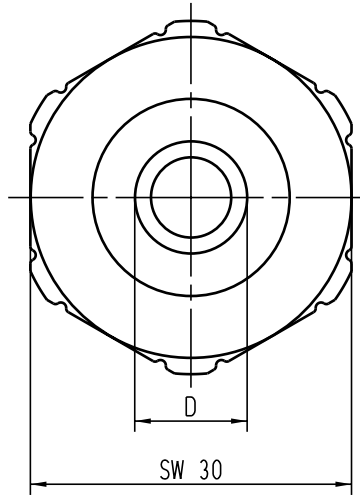
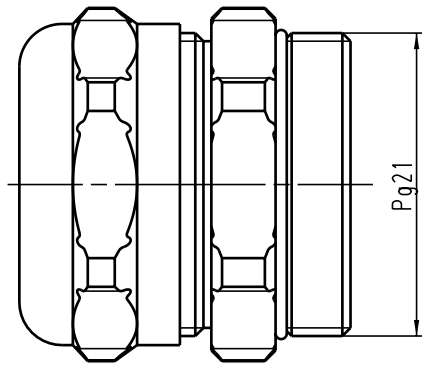
Stocking Distributor



Click to view price, real time Inventory, Delivery & Lifecycle Information:

[Harting](#)  
[09000005092](#)

For any questions, you can email us directly:  
[sales@integrated-circuit.com](mailto:sales@integrated-circuit.com)

Alle Rechte vorbehalten! All rights reserved



A	09 00 000 5093	blau blue	14	18	 All Dimensions in mm Original Size DIN A 4	Techn. Character.			Nicht tolerierte Masse / free size tolerances			
	09 00 000 5092	weiss white	11,5	15,5					Dat.	Name	Massstab/Scale  <b>2:1</b>	<b>UNI Dichtverschraubung /</b> <i>universal cable protection</i>
	09 00 000 5091	rot red	9	13					Detail:	17.12.98 KR		
	09 00 000 5090	grün green	7	10,5		410278	01.12.02	DY	Insp.	SDT		
Bestell Nr/ Part No	Farbe/colour	D min.	D max.	Mod.	Dat.	Name	HARTING Electric GmbH & Co. KG D-32339 Espelkamp			<b>TB 09 00 000 509.</b>	Blatt/ page 1 / 3	
									Sub. TB 09 00 000 509. v. 03.02.93			