

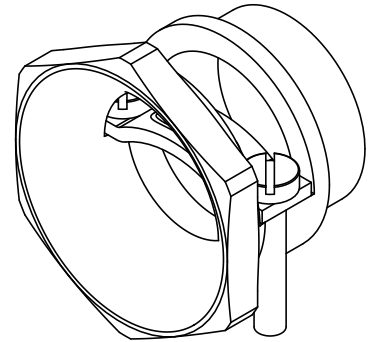
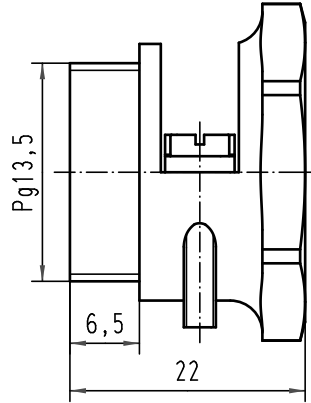
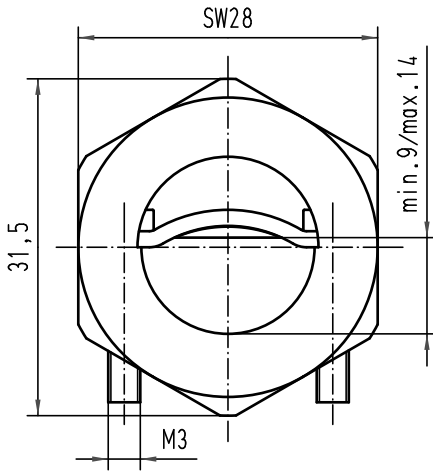
## Excellent Integrated System Limited

Stocking Distributor

Click to view price, real time Inventory, Delivery & Lifecycle Information:

[Harting](#)  
[09000005102](#)

For any questions, you can email us directly:  
[sales@integrated-circuit.com](mailto:sales@integrated-circuit.com)



Form B

All Dimensions in mm Original Size DIN A 4			Techn. Character.			Nicht tolerierte Maß/Free size tolerances	
			Detail.	05.01.99	KR	Maßstab/Scale <b>2:1</b>	Spezial-Kabelverschraubung Metall/ special cable clamp metal für Standard Gehäuse / for standard housings
			Insp.		SDT.		
			Stand.				
413153	27.08.07	Bor	HARTING Electric GmbH & Co. KG D-32339 Espelkamp				<b>TB 09 00 000 5102</b>
25435							
Mod.	Dat.	Name					Sub. TB 09 00 000 51. Bl.1/4 v. 04.02.93