

Excellent Integrated System Limited

Stocking Distributor

Click to view price, real time Inventory, Delivery & Lifecycle Information:

[Harting](#)
[09000005114](#)

For any questions, you can email us directly:
sales@integrated-circuit.com

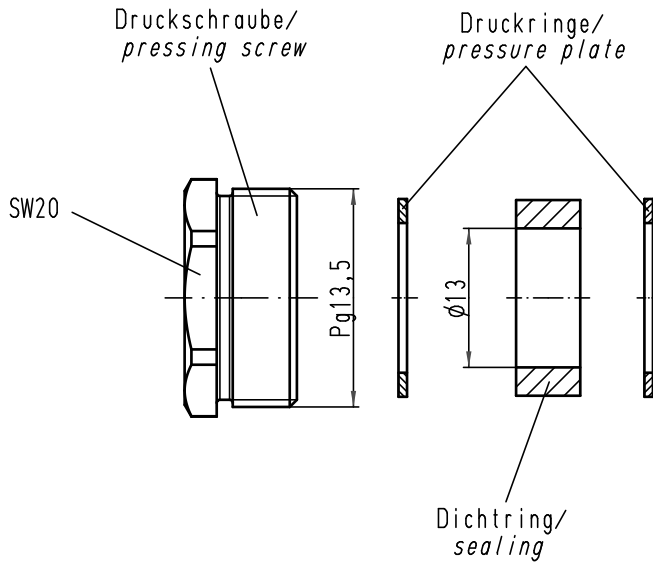
5

4

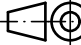

3

2

1



für Kabel- ϕ / for cable- ϕ : min.12; max.14

 All Dimensions in mm Original Size DIN A 4		Techn. Character.			Nicht tolerierte Maß/Free size tolerances	
			Dat. 06.12.98	Name Kö	Maßstab/Scale 2:1	Verschraubung Pg13,5/ cable sealing Pg13,5 Metall, für Standard-Gehäuse/ metal, for standard housings
			Insp.	SDT.		
			Stand.			
413074 25439 Mod.	22.08.07 Dat.	ML Name	HARTING Electric GmbH & Co. KG D-32339 Espelkamp			TB 09 00 000 5114 Sub.TB 09 00 000 51. Bl.2/4 v. 1.02.93
						Blatt/ page