

Excellent Integrated System Limited

Stocking Distributor

Click to view price, real time Inventory, Delivery & Lifecycle Information:

[Harting](#)
[09000005117](#)

For any questions, you can email us directly:
sales@integrated-circuit.com

Alle Rechte vorbehalten/ All rights reserved

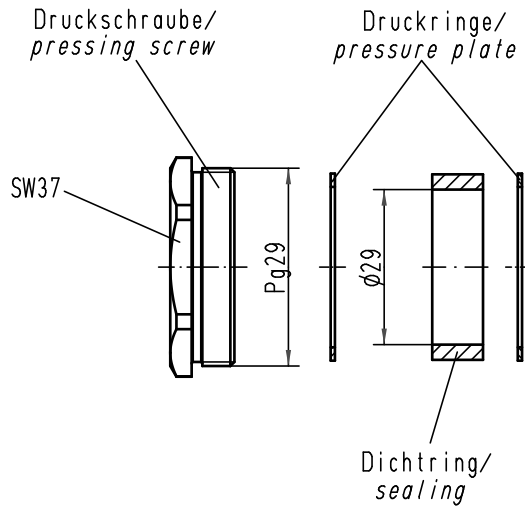
5

4

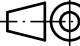

3

2

1



für Kabel- ϕ / for cable- ϕ : min.28; max.30

 All Dimensions in mm Original Size DIN A 4		Techn. Character.			Nicht tolerierte Maß/Free size tolerances	
			Dat.	Name	Maßstab/Scale 1:1	Verschraubung Pg29/ cable sealing Pg29 Metall, für Standard-Gehäuse/ metal, for standard housings
			Detail.	06.12.98 Kö		
			Insp.	SDT.		
			Stand.			
413074	23.08.07	ML	HARTING Electric GmbH & Co. KG			TB 09 00 000 5117 Sub.TB 09 00 000 51. Bl.2/4 v. 1.02.93
25439			D-32339 Espelkamp			
Mod.	Dat.	Name				Blatt/ page