

## Excellent Integrated System Limited

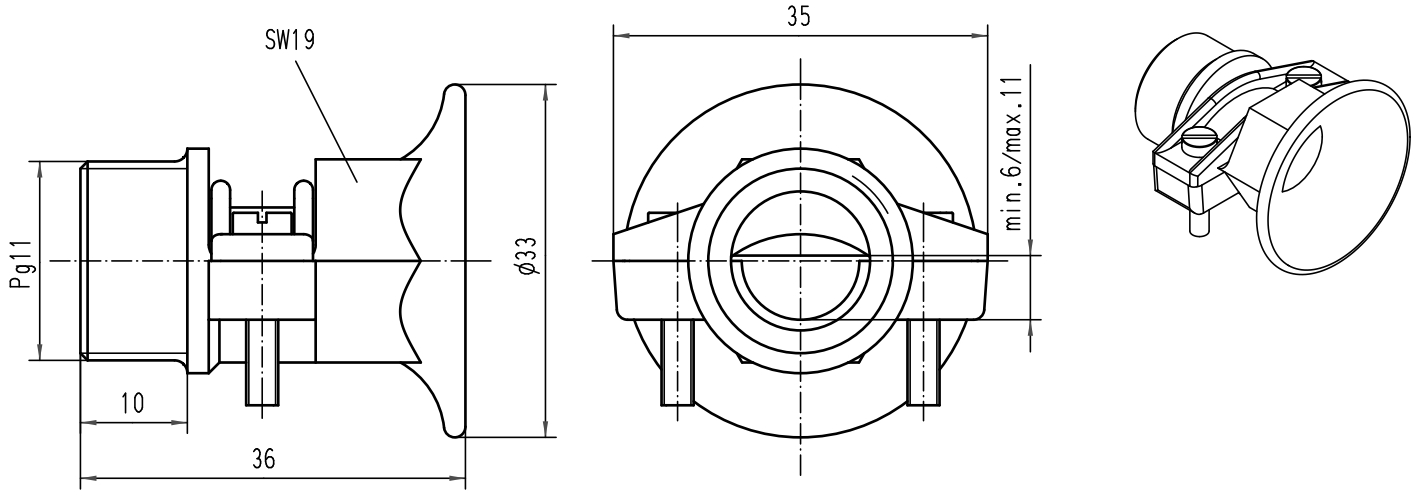
Stocking Distributor

Click to view price, real time Inventory, Delivery & Lifecycle Information:

[Harting](#)  
[09000005165](#)

For any questions, you can email us directly:  
[sales@integrated-circuit.com](mailto:sales@integrated-circuit.com)

Alle Rechte vorbehalten/ All rights reserved



All Dimensions in mm Original Size DIN A 4		Techn. Character.			Nicht tolerierte Maß/Free size tolerances															
			<table border="1"> <tr> <th>Detail.</th> <th>Dat.</th> <th>Name</th> </tr> <tr> <td></td> <td>07.01.99</td> <td>KR</td> </tr> <tr> <th>Insp.</th> <td></td> <td>SDT.</td> </tr> <tr> <th>Stand.</th> <td></td> <td></td> </tr> </table>	Detail.	Dat.	Name		07.01.99	KR	Insp.		SDT.	Stand.			<table border="1"> <tr> <th>Maßstab/Scale</th> </tr> <tr> <td>2:1</td> </tr> </table>	Maßstab/Scale	2:1	<b>Spezialkabelverschraubung /</b> <i>special cable clamp</i> Kunststoff / thermoplastic	
Detail.	Dat.	Name																		
	07.01.99	KR																		
Insp.		SDT.																		
Stand.																				
Maßstab/Scale																				
2:1																				
<table border="1"> <tr> <td>413153</td> <td>27.08.07</td> <td>Bor</td> </tr> <tr> <td>25449</td> <td></td> <td></td> </tr> <tr> <th>Mod.</th> <th>Dat.</th> <th>Name</th> </tr> </table>	413153	27.08.07	Bor	25449			Mod.	Dat.	Name	HARTING Electric GmbH & Co. KG D-32339 Espelkamp		<b>TB 09 00 000 5165</b> Sub. TB 09 00 000 51.. Bl. 4/4 v.05.02.93	Blatt/ page /							
413153	27.08.07	Bor																		
25449																				
Mod.	Dat.	Name																		